

CONTACT

www.bradleycollection.com



UK & REST OF THE WORLD

☎ +44 (0)1449 722 724

✉ info@bradleycollection.com

USA & CANADA

☎ +1 (310) 815 8255

✉ info.us@bradleycollection.com


THE BRADLEY COLLECTION

GLIDE

the**bradley**collection

Specialised fixings for mounting brackets will be required in certain situations and are not provided as standard.
Steel items are not recommended for damp conditions such as shower rooms.
Crystal finials and acrylic poles should not be positioned in direct sunlight, and are not suitable for use in conservatories.
Fluid Metal items are supplied unlacquered and will tarnish over time.

The Bradley Collection reserves the right to modify design and materials without prior notice as part of a process of continual product improvement.

Products are protected by Design Rights, under provisions of Copyright, Designs & Patents Act 1988.
Bradley®, The Bradley Collection® and  Logo are registered Community trademarks of The Bradley Collection Ltd. in Europe and registered trademarks of the Bradley Collection, Inc. in the USA.

The Bradley Collection Ltd Lion Barn • Maitland Road • Needham Market • Suffolk • IP6 8NS • UK

Published: 1123 • Copyright © The Bradley Collection Ltd. 2023

INSTALLATION INSTRUCTIONS

GLIDE

INSTALLATION INSTRUCTIONS

THANK YOU FOR YOUR ORDER

Before fitting this product please ensure that you have thoroughly read these instructions.

We have taken every care to design and manufacture a quality system; incorrect installation could lead to poor performance.

If any queries arise when reviewing these instructions or during installation please feel free to contact us for assistance. We will be glad to talk you through the process.

Please retain these instructions for future reference.

SHARE YOUR INSTALL ON INSTAGRAM

 TAG: @bradleycollection

Introduction Page 2

FIXINGS Page 2

TOOLS Page 2

CARE & MAINTENANCE Page 2

Fitting brackets Page 3

Attaching pole to brackets Page 4

Jointing system for split length poles Page 5

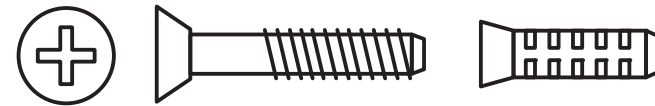
Adding or removing gliders after installation Page 6


FIXINGS

As a courtesy we have supplied a set of fixings for the system.

These screws and wall plugs are designed to be used in wood and brick walls. We understand our systems may be used on a variety of materials; drywall, aluminium and steel stud, or lath and plaster.

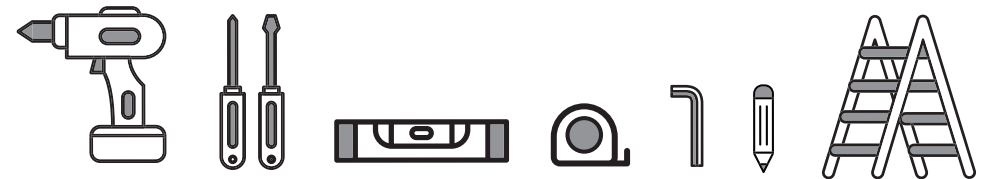
To properly secure a system onto these or other types of surfaces; appropriate fixings must be independently obtained.



 Assess your own wall construction and source the appropriate screw type. **PLEASE NOTE**, that the enclosed fixings may not be suitable for all wall types.


TOOLS

For the installation of the system the following items may be required.



CARE & MAINTENANCE

This Glide pole can be cleaned using a soft cloth and furniture polish.

 Please do not use any solvent or chlorine based cleaners as this will damage the finish.

POSITIONING & FIXING BRACKETS

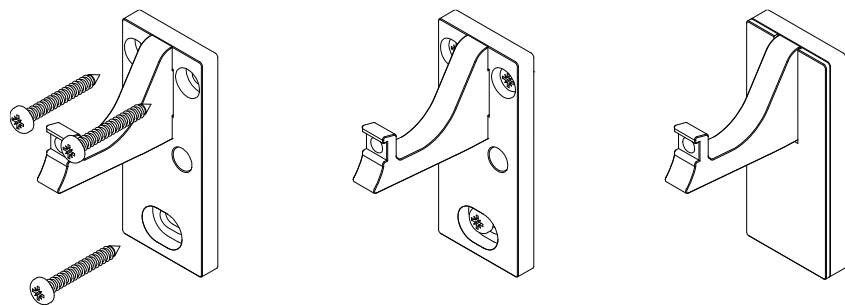
Brackets should be positioned approximately 100mm (4") from the ends of the pole.

- 1 Remove the t-bars, grub screws, washers and cap nuts and put carefully aside.
- 2 Remove the cover plates from brackets in order to mark the position of the brackets. For longer poles one or more mid bracket are required, and should be equally spaced along the system.
Use a digital spirit level or mark the bracket positions, noting that side and mid brackets align along their top edges.

PLEASE NOTE, Where systems are made in multiple sections.

Joins must be supported by a mid bracket, which must be fitted directly over the join.

- 3 Drill holes & use a suitable wall fixing when attaching the plate to the wall.
- 4 Screw each bracket into position.
- 5 Fit the cover plate, the cover is held in place by magnets.

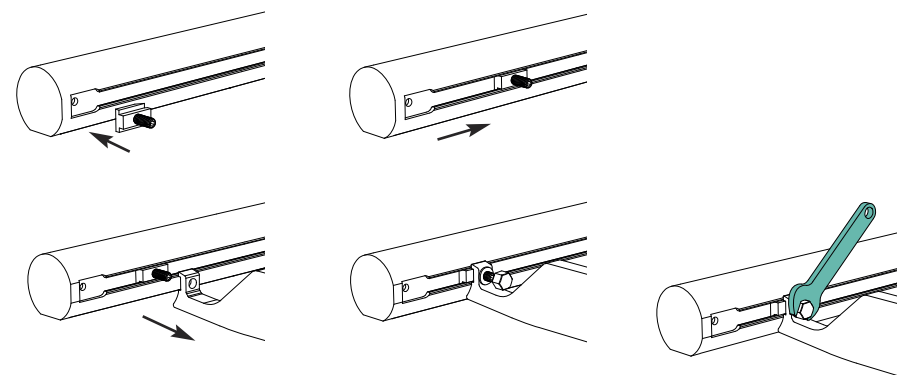


ATTACHING POLE TO BRACKETS

- 1 Lightly screw grub screws into T-bars, then insert t-bars into the rear channel. The t-bars may be slid along the channel until they line up with the wall brackets.
- 2 Insert the grub screws through the receiving hole in the wall brackets. Once inserted, finger tighten the grub screw until it is secured against the inside of the pole.

IMPORTANT – WASHER MUST BE USED FOR A SECURE FIXING.

- 3 Add the washer and cap nut and finger tighten.
- 4 Screw each bracket into position.
- 5 Finally, tighten the nut cap using the tool supplied.

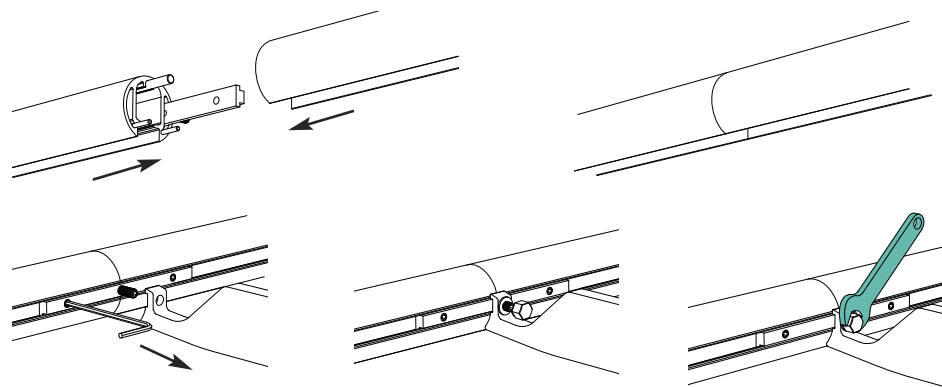


JOINTING SYSTEM FOR SPLIT LENGTH POLES

- 1 One section of the pole is supplied with its jointing pins or splints already inserted. Loosen the rear mounted joining bar and re-position at the exact halfway point. Re-tighten.
- 2 Slide the two pole sections together over the pins and rear joiner.
- 3 Slide the two pole sections together over the pins and rear joiner. Insert a grub screw into the centre hole of the rear joiner and then insert the grub screw into the receiving hole in the mid-bracket.
- 4 Once the joint is correctly aligned, tighten the grub screws in the rear joiner.

IMPORTANT – WASHER MUST BE USED FOR A SECURE FIXING.

- 5 Using the washer and cap nut, secure the mid-bracket to the central grub screw.
- 6 Tighten the nut cap using the tool supplied.



ADDING OR REMOVING GLIDERS AFTER INSTALLATION

- 1 Remove the magnetic access block, using the tool supplied.
- 2 Loosen the end stop slightly using the supplied allen key. Remove the end stop to add or remove gliders.
- 3 Once the correct number of gliders is in place, re-insert the end stop and tighten, leaving a suitable gap for the last glider. Re-insert the magnetic access block.

