



| ECLIPSE

THE **BRADLEY**  
COLLECTION

SPECIFICATION GUIDE

## SPECIFICATION GUIDE

This specification guide was designed to outline the main considerations that need to be made when quoting or ordering a system.

Please use this along side with the ⚡ | Electric Technical Guide's. There is a guide for Silent Gliss • Somfy • Lutron system options which deal with specific details of those systems.

If any questions arise please call your local sales representative or contact The Bradley Collection directly.



**Electrical installations must be carried out by qualified professionals. In line with the relevant wiring diagrams and conform to local regulations.**

### System Information Page 3-18

POLES Page 4

EDGE POLES Page 5

SYSTEM SELECTION Page 6

SYSTEM CONFIGURATION Page 7-8

JOINING & BAYS Page 9

MINIMUM WALL SIZES Page 10

BRACKET ALIGNMENT Page 11

CUSTOM BRACKETS Page 12

CURTAIN DROPS Page 13-17

GLIDER COLOURSS Page 18

### Finishes Page 19-23

### Finials Page 25-34

### Brackets Page 35-54

### Coverpoles & Tracks Page 55-92



Poles are manufactured to suit individual requirements. When calculating the length of your pole, remember to allow tolerance beyond the width of the frame for the curtains to draw back to the edge of the window.

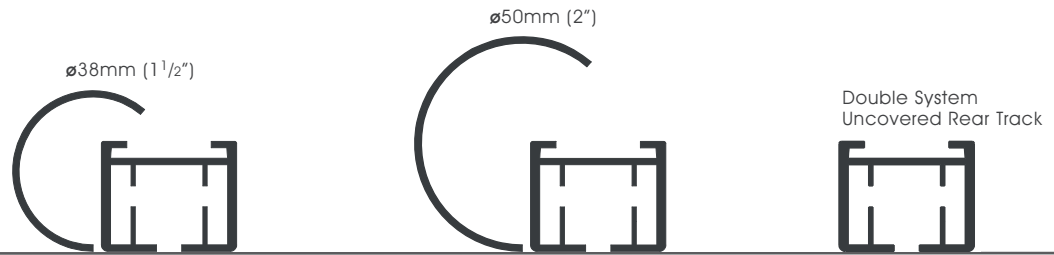
Maximum coverpole pole length in one piece 2.9m (114").

Poles exceeding the recommended maximum distance between brackets, will be cut into equal parts unless otherwise specified. Pole joiners will be supplied. Joining brackets should be placed at every join.

Available pole diameter's -  $\varnothing 38\text{mm}$  (1 1/2") •  $50\text{mm}$  (2")

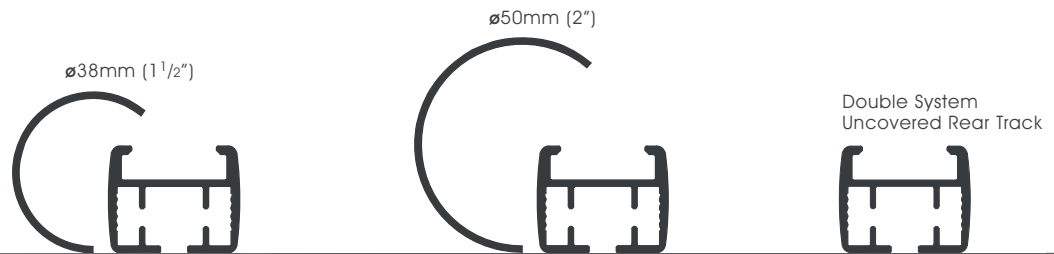
The overall pole cost is rounded up in 300mm (1ft) increments.

### LUTRON® SIVOIA



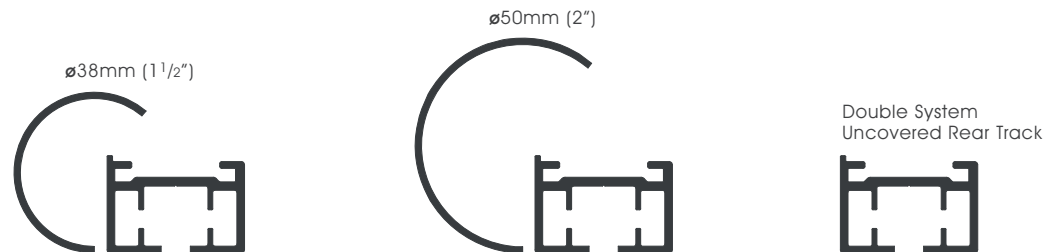
Glider/Roller Type	Maximum System Length - Single Stack →	Maximum System Length - Pair Stack →←	Maximum Section Length	Recommended maximum distance between brackets
Roller/Ripplefold - roller	9000mm (29.5')	9000mm (29.5')	2900mm (9'6")	1500mm (5')

### SOMFY® GLYDEA, IRISMO & MOVELITE



Motor Type	Maximum System Length - Single Stack →	Maximum System Length - Pair Stack →←	Maximum Section Length	Recommended maximum distance between brackets
Glydea Ultra 60e	12000mm (39')	12000mm (39')	2900mm (9'6")	1500mm (5')
Iriso 45WF	10000mm (32.5')	10000mm (32.5')	2900mm (9'6")	1500mm (5')
Movelite 35	10000mm (32.5')	10000mm (32.5')	2900mm (9'6")	1500mm (5')
Movelite 35WF	6000mm (20')	6000mm (20')	2900mm (9'6")	1500mm (5')

### SILENT GLISS® 5600



Glider/Roller Type	Maximum System Length - Single Stack →	Maximum System Length - Pair Stack →←	Maximum Section Length	Recommended maximum distance between brackets
Glider/Wave - Glider	2900mm (9'6")	6000mm (20')	2900mm (9'6")	1500mm (5')
Roller/Wave - Roller	15000mm (49')*	15000mm (49')*	2900mm (9'6")	1500mm (5')

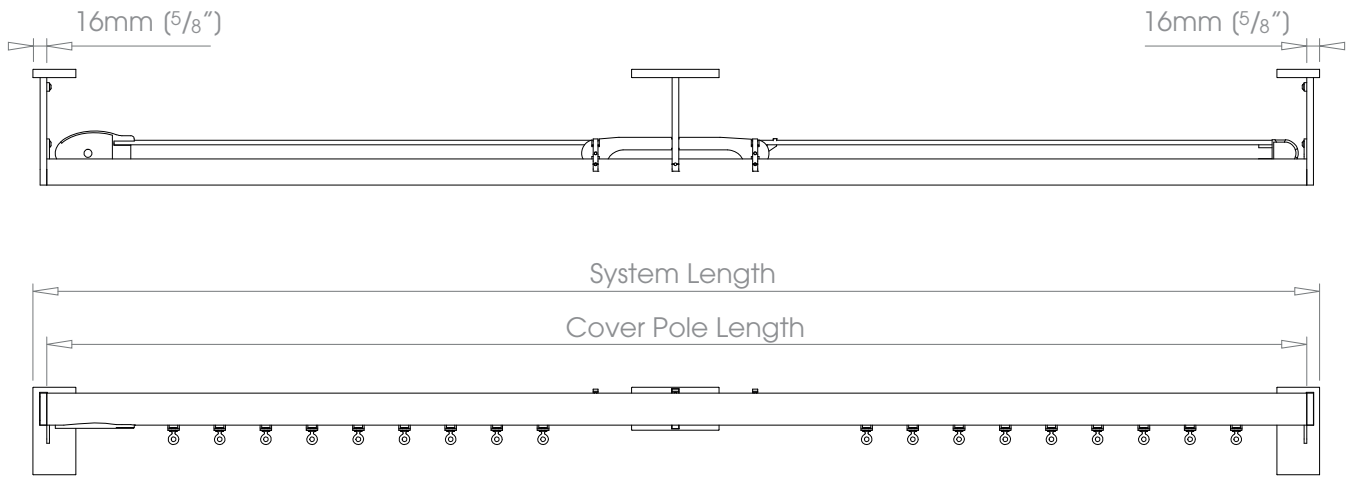
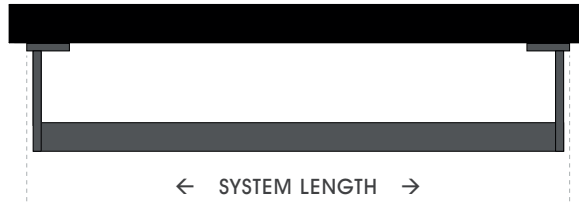
**HAND DRAWN**

For windows or double treatments where motorisation is not required, hand drawn option are available.



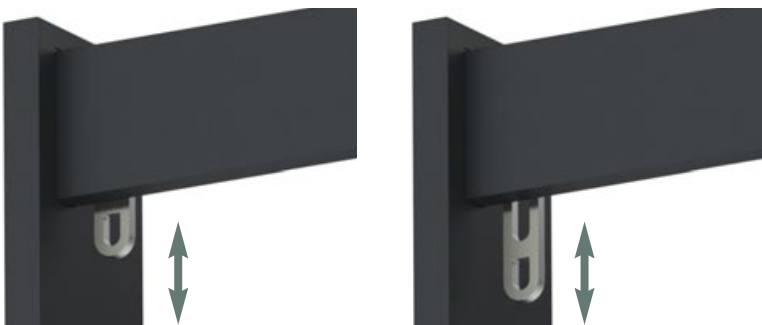
Edge is the epitome of understatement, being sleek, discreet and integrated. Available in two pole diameters, Ø38mm [1 1/2"] • 50mm [2"]. The unique Edge bracket design gives a structured return to the wall for drapes and incorporates an adjustable return-to-wall hook eye

System lengths should be specified between bracket edges.



### ADJUSTABLE END STOP

The bracket has been designed with an adjustable end stop, which allows curtains to be hung at the same height as the rollers used in the track system.



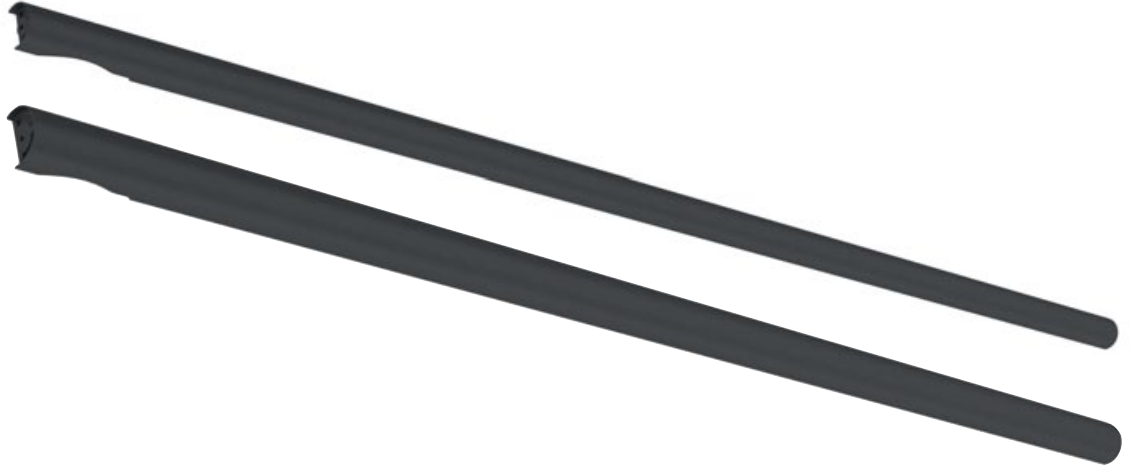
### ELECTRIC CURTAIN POLES

Eclipse consists of a decorative coverpole and finial concealing a functional track system, with the assembly clamped together by clever bracket design.

Coverpoles over 2.9m (9'6") in length will be supplied in multiple sections, tracks over 2.9m (9'6") will be supplied in multiple sections Z folded and pre-assembled with drive belt and gliders/rollers ready for re-connecting and installing.

#### 1 SELECT COVERPOLE

Available cover pole diameter's - Ø38mm (1½") • 50mm (2")



#### 2 SELECT TRACK TYPE & MOTOR

Tracks are fitted into the coverpoles.

Specify you track type from a choice from the leading motorised systems. This provides power and control options ranging from standalone battery powered systems to fully integrated home automation solutions.



For double configurations a second track can be specified, Either with or without a coverpole  
All tracks can be specified as Motorised or Hand Drawn



### CONFIGURATION

A looped driving belt runs around the motor and along the pole. This is attached to the pilot header which in turn is attached to the lead roller. The motor operates in both directions, thereby opening and closing curtains.

#### SINGLE STACK

On single stack systems the motor is always positioned on the stacking side, allowing the motor to be hidden behind the curtain.



#### Double Stack

Double stack curtains can have the motor positioned at either end of the pole.



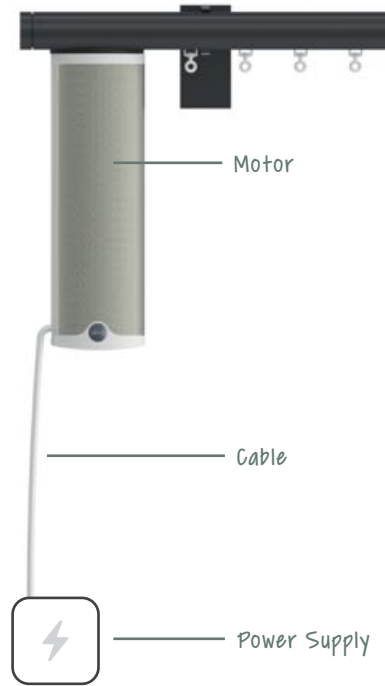
### MOTOR POSITIONING

Mains powered motor's needs to be positioned on same side of the window as the power supply.

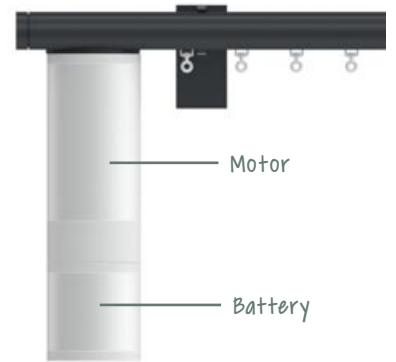
Wiring diagrams are available on request

Motorised systems are unsuitable for use outdoors or in damp environments such as shower rooms and bathrooms.

#### ⚡ MAINS POWERED SYSTEMS



#### 🔋 BATTERY POWERED SYSTEMS SOMFY® MOVELITE & IRISMO ONLY



#### LEFT HAND MOTOR



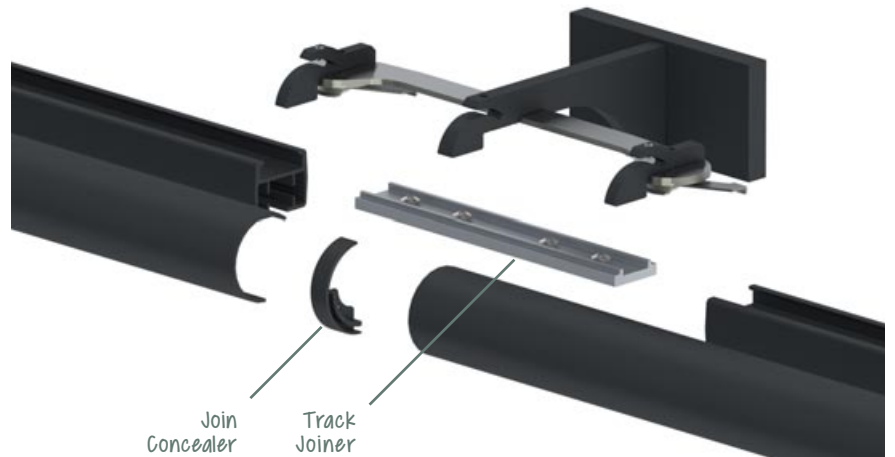
#### RIGHT HAND MOTOR



### JOINING POLES

Where ever there is a join in the systems, this must always be supported by a joining bracket. Two clamps sit on top of the bracket to support the coverpole.

A separate joiner sits under the bracket and slides into the top channel of the track. To keep the two parts securely together



### BESPOKE BAYS

Bradley's bespoke service allows poles to be specifically made for unique bay windows and complex long span installations. Poles can be shaped to create a system that follows contours

⚠ Return bends & Continuous curves are not available



One Bend Bay



Two Bend Bay



Square Bay



Four Bend Bay  
Made of 2x  
two Bend Bays

## BRADLEY BAY CHECKER +

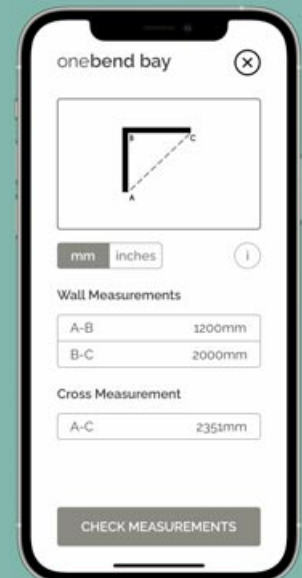
Bay Checker + is part of our Digital Toolbox, allowing you to check your measurement for bays and curves whilst onsite, as well as storing straight window dimensions for your projects.

Unlimited measurements may be saved locally to your device or shared to your colleagues.

Available as a free download for iOS or Android,

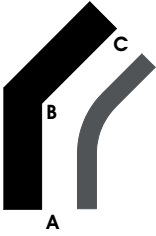
For more information on Bay Checker + and latest enhancements to our Digital Toolbox visit

🔗 [www.bradleycollection.com/digital-toolbox/](http://www.bradleycollection.com/digital-toolbox/)



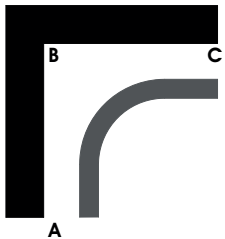


Return bends & Continuous curves are not available



### 135° Bend Angles

Diameter	Wall A - B	Wall B - C	Minimum Bend Radius	Minimum Projection
∅38mm (1½")	300mm (11 <sup>13</sup> / <sub>16</sub> ")	300mm (11 <sup>13</sup> / <sub>16</sub> ")	254mm (10")	100mm (4")
∅50mm (2")	300mm (11 <sup>13</sup> / <sub>16</sub> ")	300mm (11 <sup>13</sup> / <sub>16</sub> ")	254mm (10")	100mm (4")



### 90° Bend Angles

Diameter	Wall A - B	Wall B - C	Minimum Bend Radius	Minimum Projection
∅38mm (1½")	500mm (19 <sup>11</sup> / <sub>16</sub> ")	500mm (19 <sup>11</sup> / <sub>16</sub> ")	254mm (10")	100mm (4")
∅50mm (2")	500mm (19 <sup>11</sup> / <sub>16</sub> ")	500mm (19 <sup>11</sup> / <sub>16</sub> ")	254mm (10")	100mm (4")

The information below shows the relationship between the bracket backplate. this will enable easy alignments during instalation.

### Single & Double Brackets

Top of brackets

Side Bracket



Mid Bracket



Mid Joining Bracket



---

### EDGE - Single & Double Brackets

Top of brackets

End Bracket



Mid Bracket



Mid Joining Bracket



Eclipse can be customised to suit virtually any window. For simple projection changes between the Minimums and Maximums listed below brackets are charged at double their standard costs. For all other customisations an additional custom fee is applied per drawing



### Custom Projection

Specify the exact projection needed.



### Custom Fixing Plate

Relevant where space is restricted or weight is a concern.



### Uplift

Helps negotiate cornice and similar architectural features.



### Dropdown Ceiling

Specify exact projection required from ceiling.



### Angled Brackets

The solution for tight and awkward locations.

## Minimum & Maximum Bracket Projections

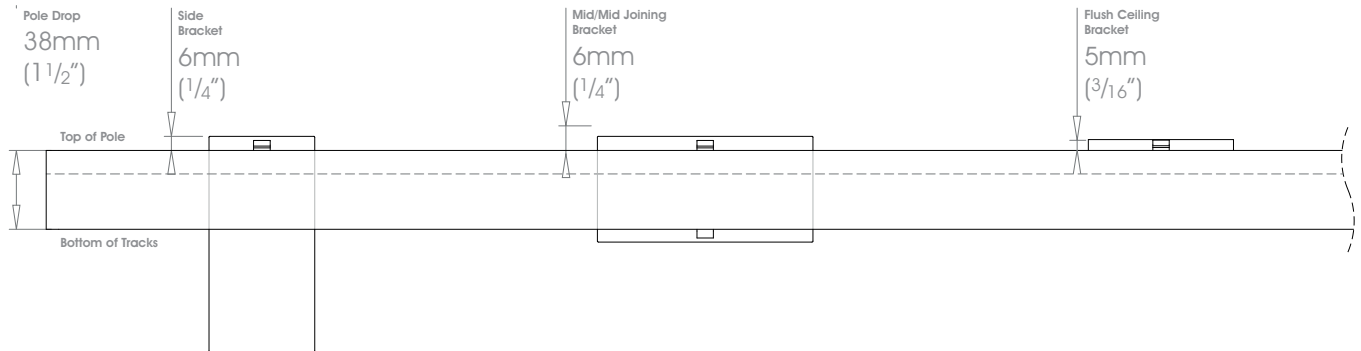
Dimensions outside of these stated min/max projections may still be possible but will generate a design charge per drawing. See pricelist for details

Diameter	Type	Standard Projection	Minimum Projection	Maximum Projection
∅38mm (1½")	Side	100mm (4")	88mm (3½")	200mm (8")
∅38mm (1½")	Mid	100mm (4")	88mm (3½")	200mm (8")
∅38mm (1½")	Mid - Joining	100mm (4")	88mm (3½")	200mm (8")
∅38mm (1½")	Edge End	100mm (4")	60mm (2⅜")	200mm (8")
∅50mm (2")	Side	100mm (4")	83mm (3¼")	200mm (8")
∅50mm (2")	Mid	100mm (4")	83mm (3¼")	200mm (8")
∅50mm (2")	Mid - Joining	100mm (4")	83mm (3¼")	200mm (8")
∅50mm (2")	Edge End	100mm (4")	60mm (2⅜")	200mm (8")

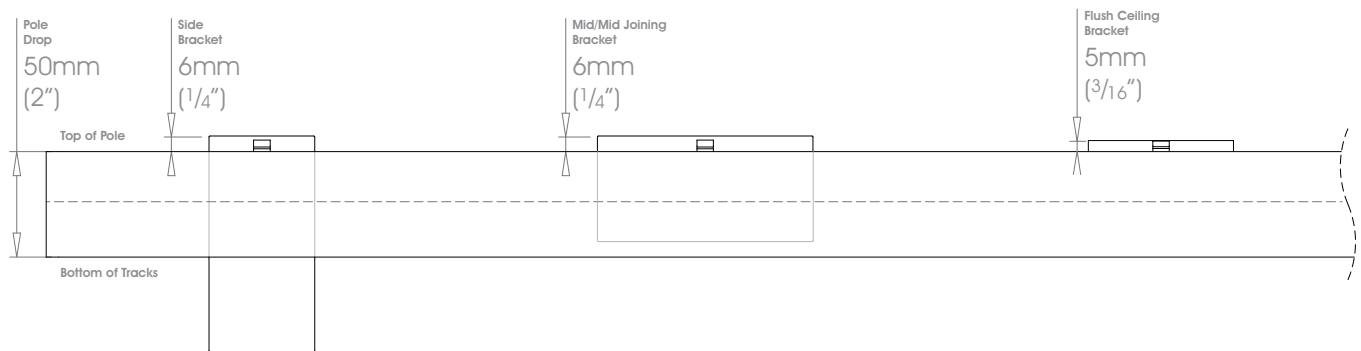


The information below shows the relationship between the pole, brackets and gliders/rollers. This will enable the correlation between pole heights and curtain drops to be easily calculated.

### SINGLE SYSTEM - 38mm (1 1/2") Coverpole



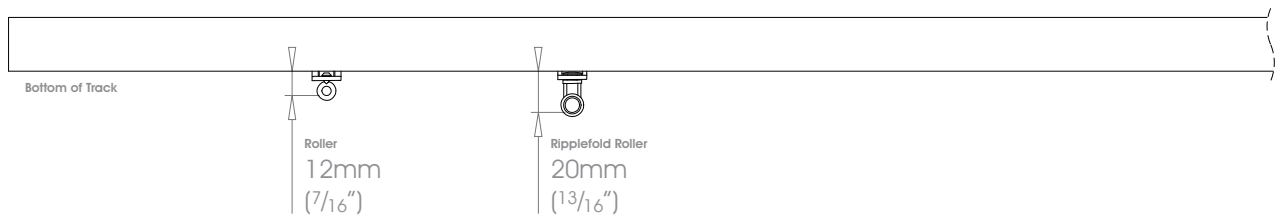
### SINGLE SYSTEM - 50mm (2") Coverpole



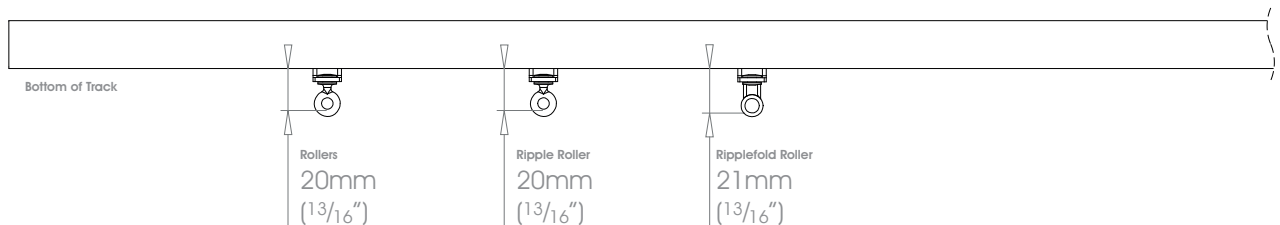
### GLIDER & ROLLER DROPS

Add the following drops for your selected system and glider/roller choice.

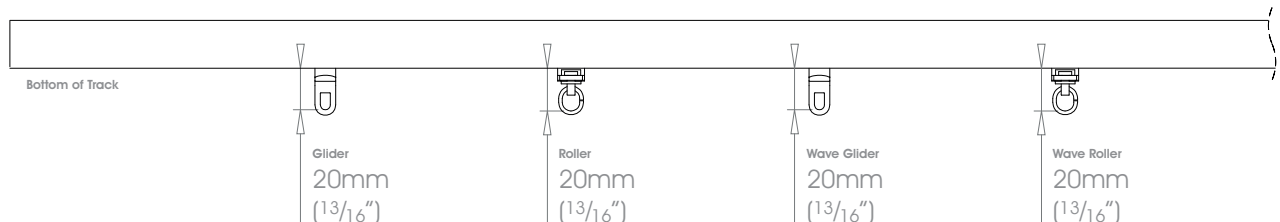
#### LUTRON



#### SOMFY

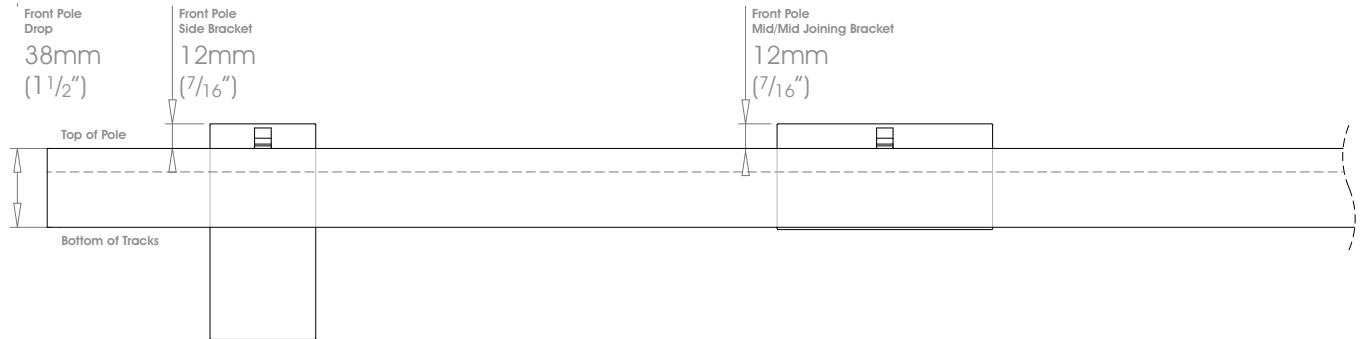


#### SILENT GLISS

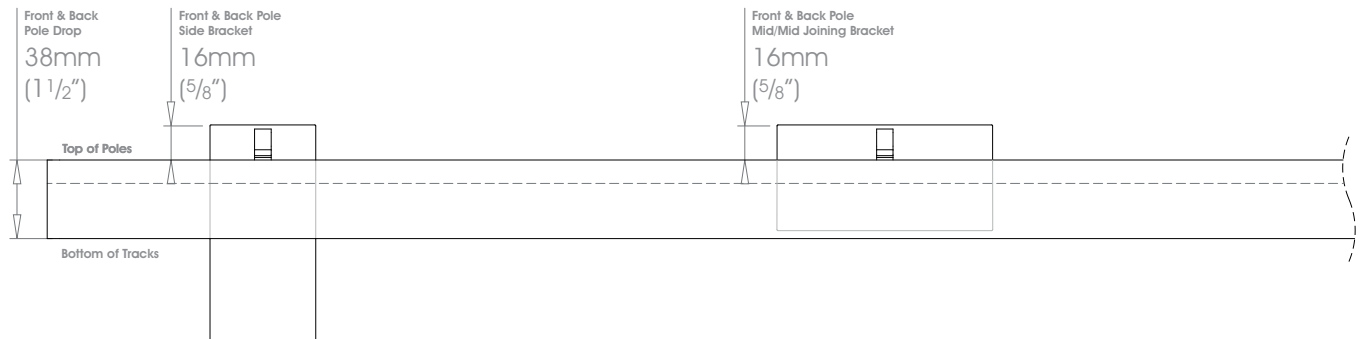


The information below shows the relationship between the pole, brackets and gliders/rollers.  
This will enable the correlation between pole heights and curtain drops to be easily calculated.

### DOUBLE SYSTEM - FRONT 38mm (1 1/2") Coverpole BACK Uncovered Track



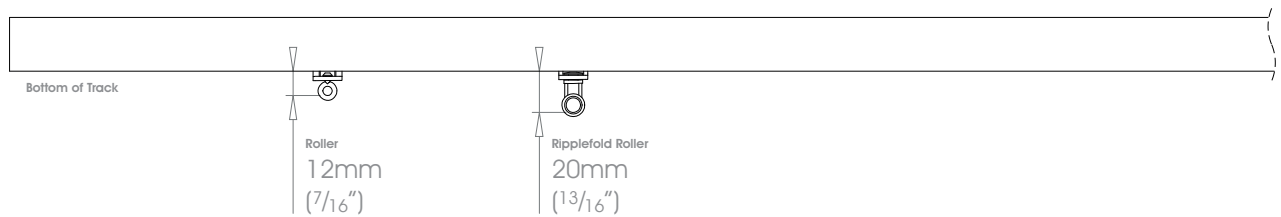
### DOUBLE SYSTEM - FRONT 38mm (1 1/2") Coverpole BACK 38mm (1 1/2") Coverpole



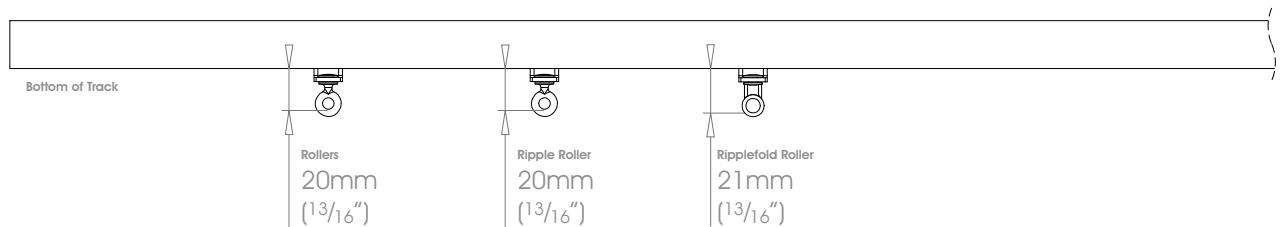
### GLIDER & ROLLER DROPS

Add the following drops for your selected system and glider/roller choice.

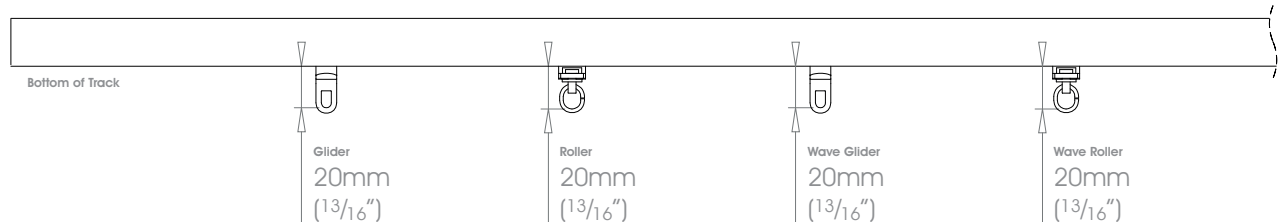
#### LUTRON



#### SOMFY

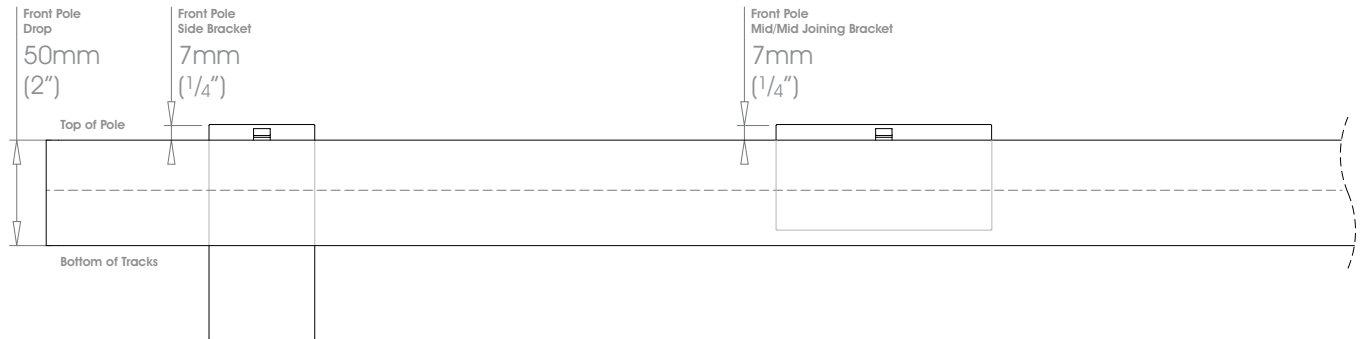


#### SILENT GLISS

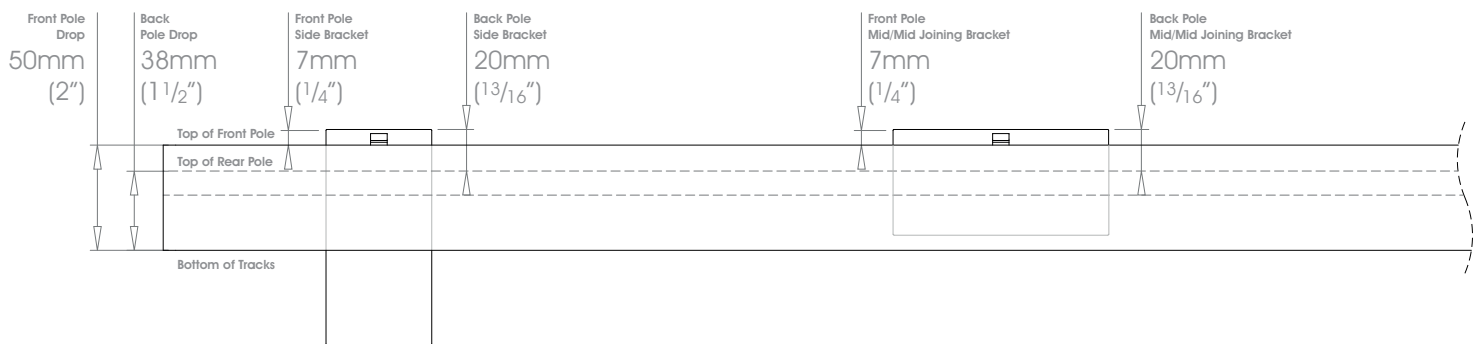


The information below shows the relationship between the pole, brackets and gliders/rollers. This will enable the correlation between pole heights and curtain drops to be easily calculated.

### DOUBLE SYSTEM - FRONT 50mm (2") Coverpole BACK Uncovered Track



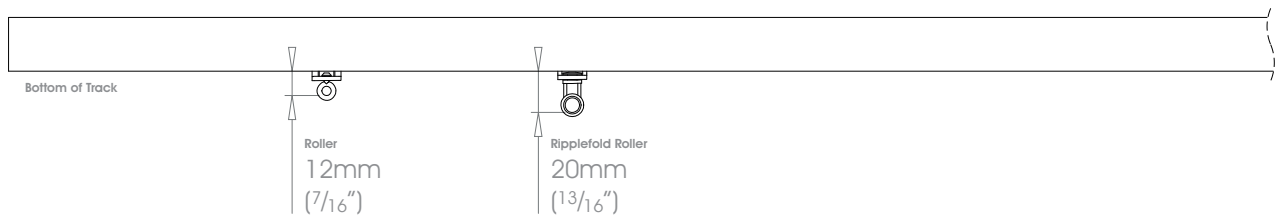
### DOUBLE SYSTEM - FRONT 50mm (2") Coverpole BACK 38mm (1 1/2") Coverpole



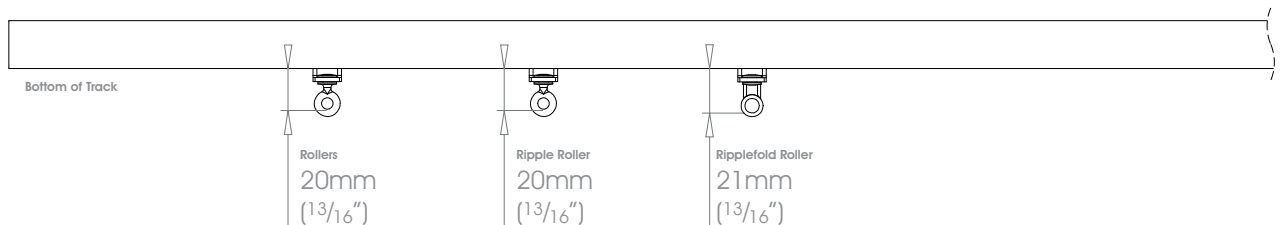
### GLIDER & ROLLER DROPS

Add the following drops for your selected system and glider/roller choice.

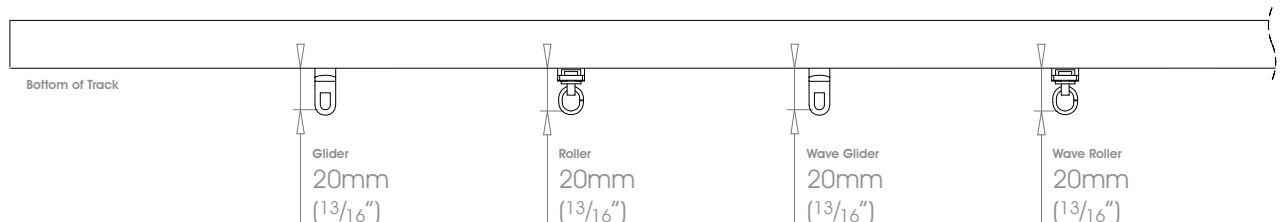
#### LUTRON



#### SOMFY

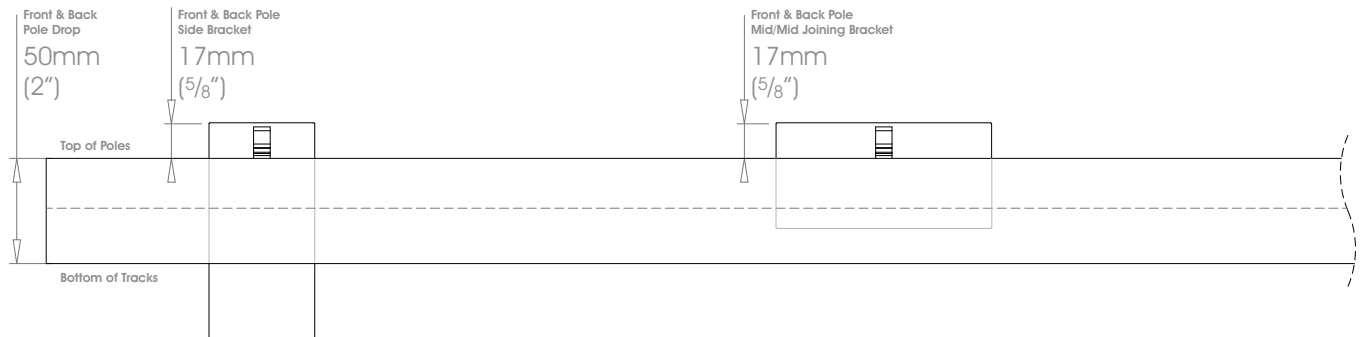


#### SILENT GLISS



The information below shows the relationship between the pole, brackets and gliders/rollers. This will enable the correlation between pole heights and curtain drops to be easily calculated.

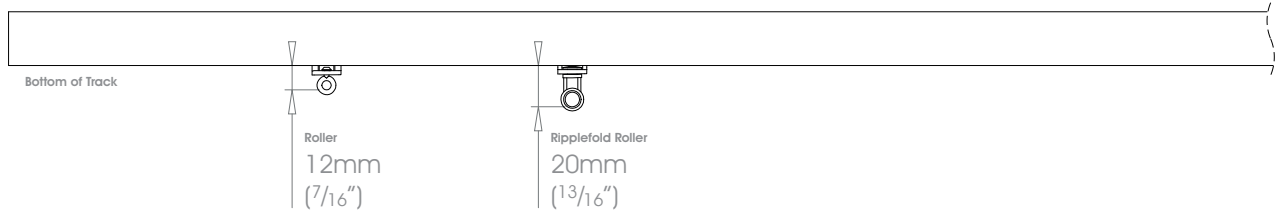
### DOUBLE SYSTEM - FRONT 50mm (2") Coverpole BACK 50mm (2") Coverpole



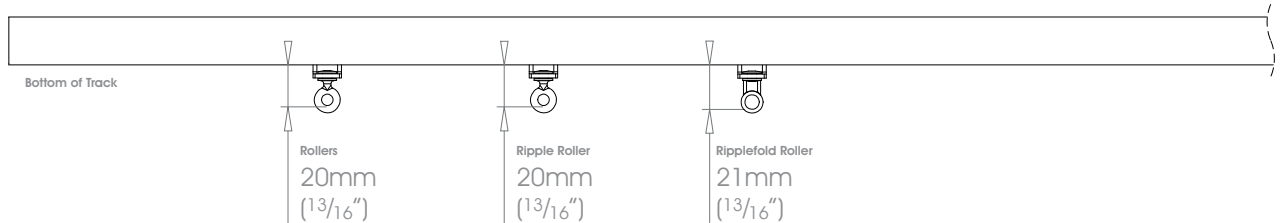
### GLIDER & ROLLER DROPS

Add the following drops for your selected system and glider/roller choice.

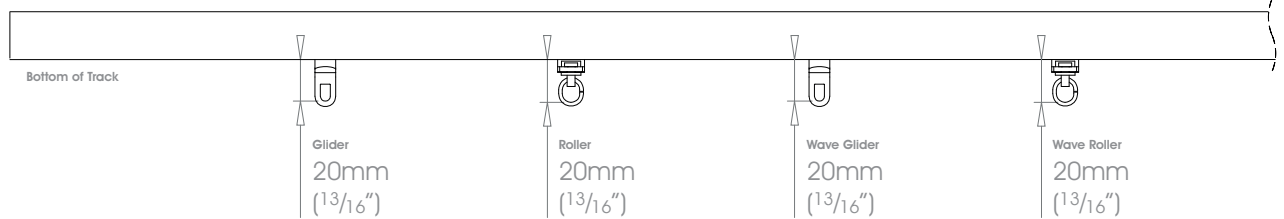
#### LUTRON



#### SOMFY

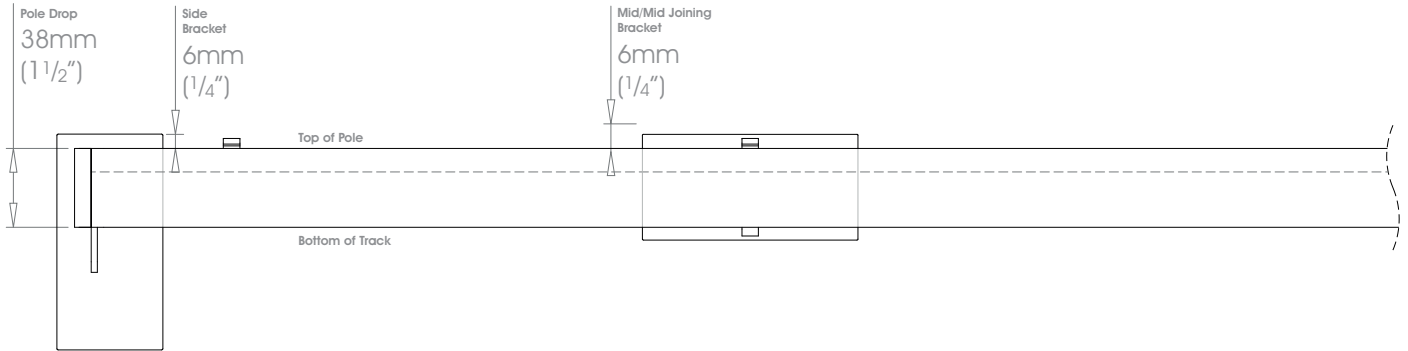


#### SILENT GLISS

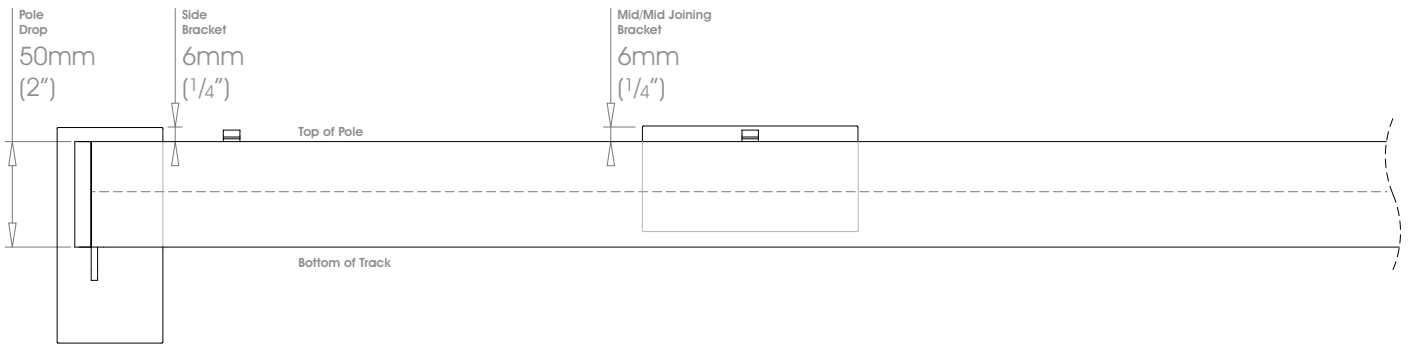


The information below shows the relationship between the pole, brackets and gliders/rollers. This will enable the correlation between pole heights and curtain drops to be easily calculated.

### SINGLE SYSTEM - 38mm (1 1/2") Coverpole



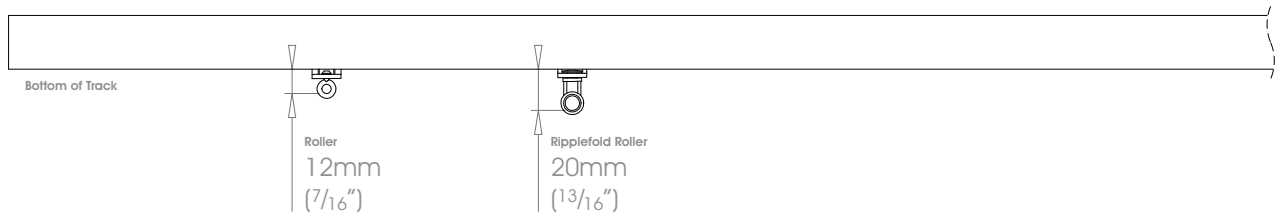
### SINGLE SYSTEM - 50mm (2") Coverpole



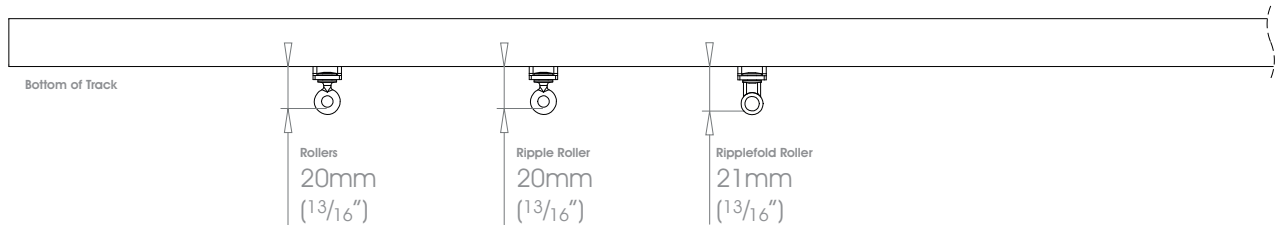
### GLIDER & ROLLER DROPS

Add the following drops for your selected system and glider/roller choice.

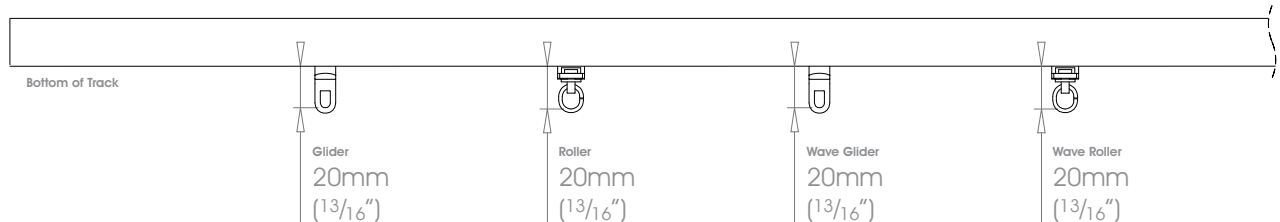
#### LUTRON



#### SOMFY



#### SILENT GLISS



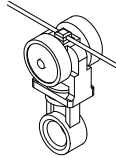
Gliders & Rollers are available in the following colour options.

### LUTRON

ROLLER  
White



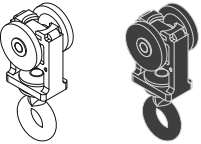
RIPPLEFOLD ROLLER  
White



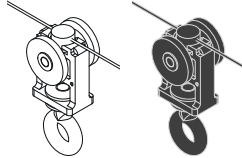
---

### somfy

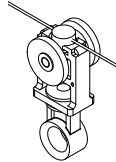
ROLLER  
White • Black



RIPPLE ROLLER  
White • Black



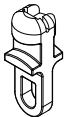
RIPPLEFOLD ROLLER  
White



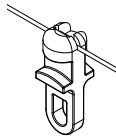
---

### SilentGliss

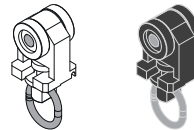
GLIDER  
White • Black



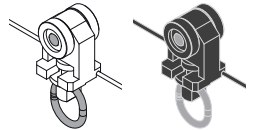
WAVE GLIDER  
White



ROLLER  
White • Black



WAVE ROLLER  
White • Black





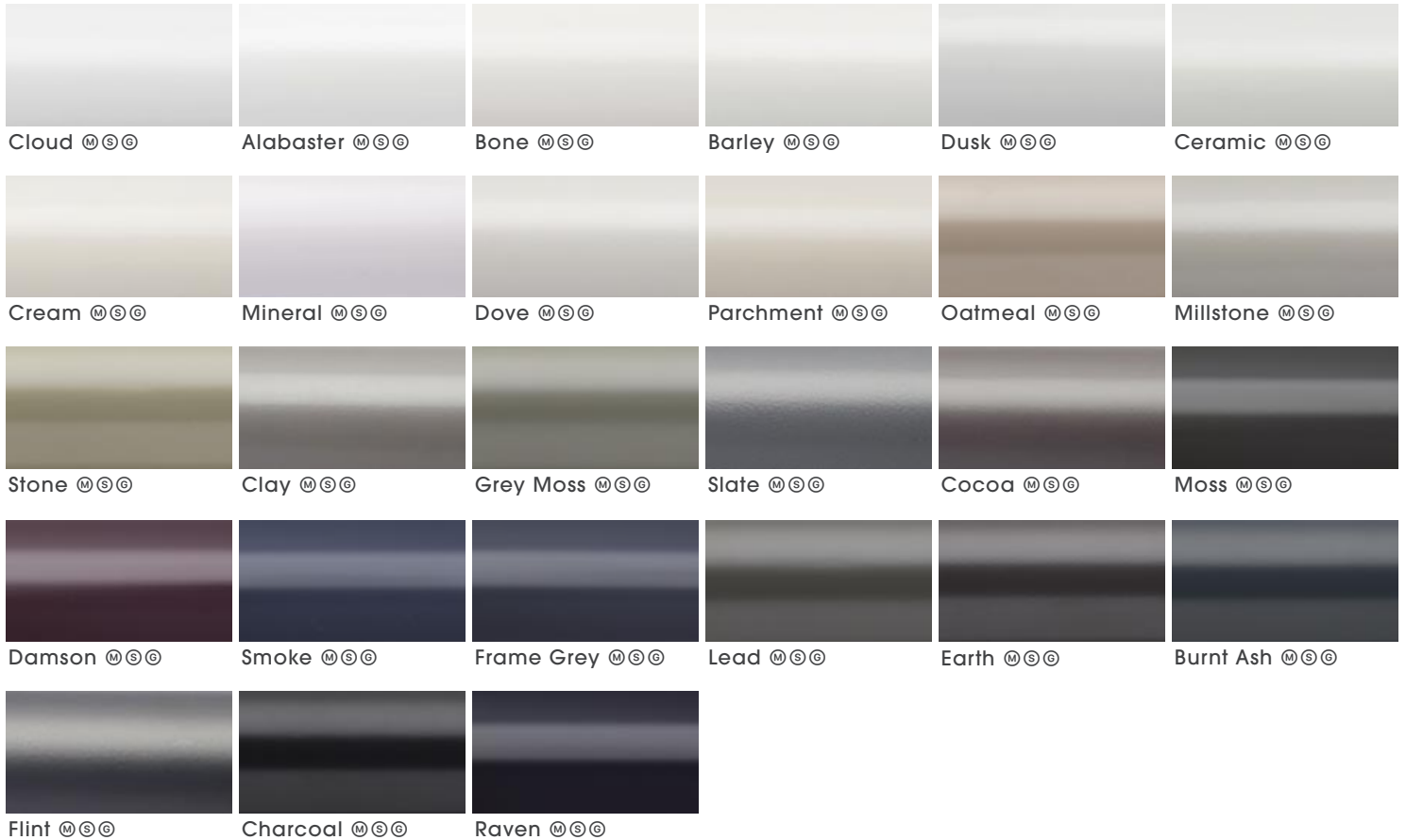
All poles and components may be specified in this stunning palette of colours and finishes, with a choice of coat options throughout.

### COAT OPTIONS



## SHADES

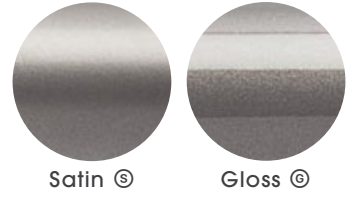
A superb selection of opaque colours, all available in a choice of Matte, Satin or Gloss finish.





All poles and components may be specified in this stunning palette of colours and finishes, with a choice of coat options throughout.

### COAT OPTIONS



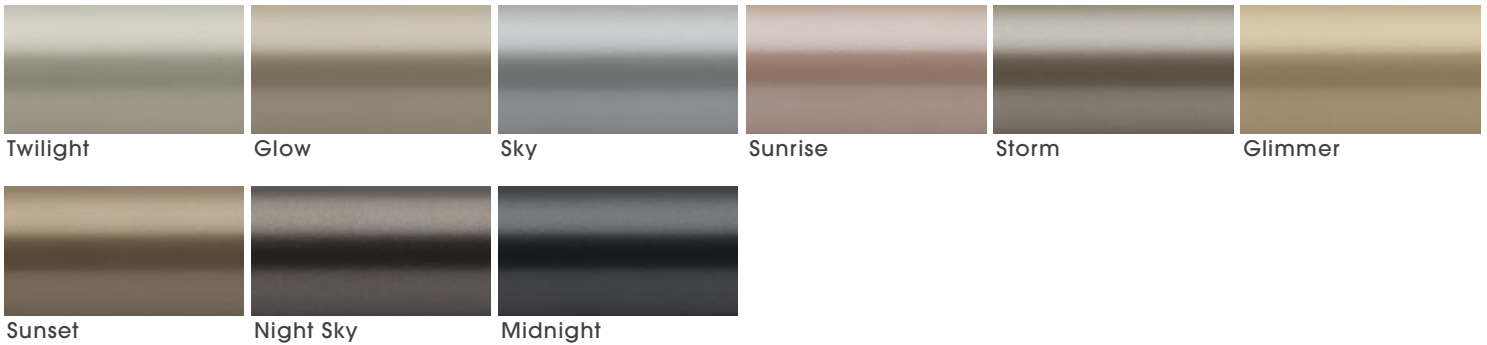
## METALLICS

High metallic fleck coatings with most available in Satin and Gloss sheen levels.



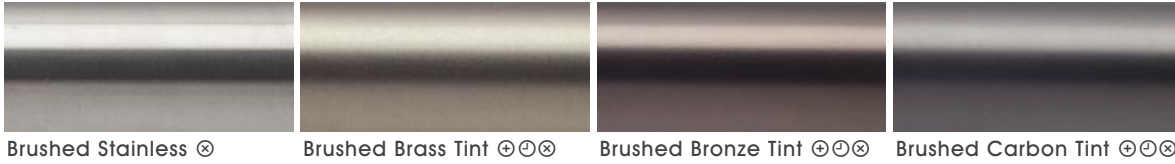
## ANODIC METALS

A flat metal colour group, with an anodised style surface texture.



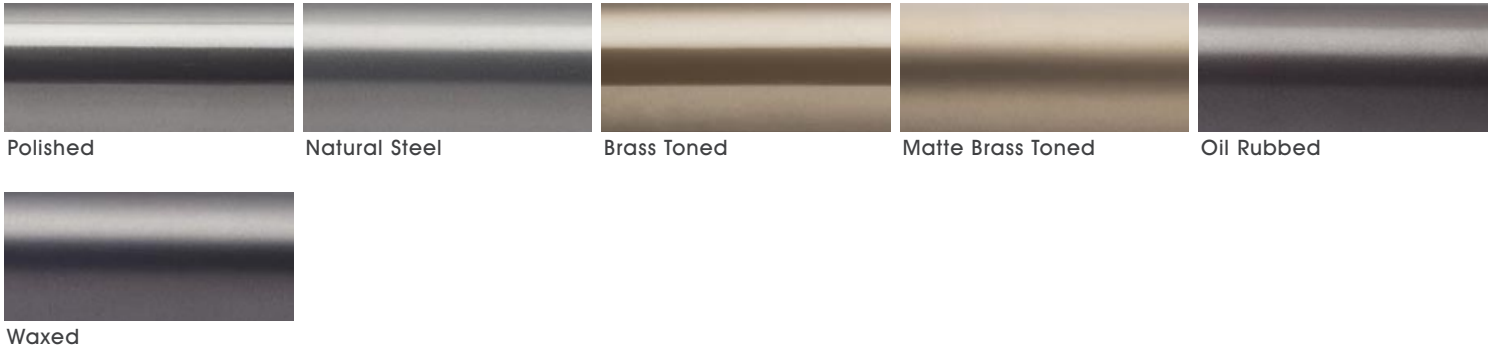
### STAINLESS

Brushed stainless steel, self-coloured or in subtle tinted hues gives an industrial aesthetic.



### CLASSICS

The beauty of the mild steel base shines through with these special translucent finishes.



### FLUID METAL™

Leading edge technology allows authentic metal coats to be applied to any substrate, which can then be worked and aged for a truly luxurious result.



⊗ A finishing charge will apply | ⊕ Longer lead-times will apply | ⊖ Brushed finishes not available with bends  
 ⊕ Fluid Metal finishes are supplied unlacquered and will tarnish over time, a clear lacquer may be applied on request as a custom finish | 👤 Fluid Metal finishes are hand produced, finish may vary.

### CUSTOM FINISHES

Can be specified from RAL K7 finish chart, subject to a per colour upcharge, which covers up to five poles. See pricelist for further details



### COLOUR MATCHING

A colour matching service is offered, to match your scheme of fittings perfectly. See pricelist for further details

Track will be finished in a complementary colour to match the cover pole as per the table below.

**Coat Options** Matte<sup>Ⓜ</sup> • Satin<sup>Ⓢ</sup> • Gloss<sup>ⓖ</sup>

**Housing Colours** White <sup>○</sup> • Grey <sup>●</sup> • Black <sup>●</sup>

Coverpole Finish	Internal Track Finish	Motor & Return Housing Finish		
		LUTRON	SOMFY	SILENT GLISS
Alabaster <sup>ⓂⓈⓖ</sup>	Alabaster <sup>ⓂⓈⓖ</sup>	○	○	○
Antique Brass <sup>ⓂⓈ</sup>	Antique Brass <sup>ⓂⓈ</sup>	RAL 7013 Spray Paint on ○	●	RAL 7013 Spray Paint on ○
Barley <sup>ⓂⓈⓖ</sup>	Barley <sup>ⓂⓈⓖ</sup>	○	○	○
Bone <sup>ⓂⓈⓖ</sup>	Bone <sup>ⓂⓈⓖ</sup>	○	○	○
Brass Toned	RAL1036 Powder Coat	RAL 1035 Spray Paint on ○	●	RAL 1035 Spray Paint on ○
Bronzed <sup>ⓂⓈ</sup>	Bronzed <sup>ⓂⓈ</sup>	RAL 9005 Spray Paint on ○	●	●
Bronze Art	Bronze Art	RAL 8014 Spray Paint on ○	●	RAL 8014 Spray Paint on ○
Brushed Stainless	Silver Powder Coat	●	●	●
Brushed Brass Tint	RAL1036 Powder Coat	RAL 1035 Spray Paint on ○	●	RAL 1035 Spray Paint on ○
Brushed Bronze Tint	Bronzed <sup>ⓂⓈ</sup>	RAL 9005 Spray Paint on ○	●	●
Brushed Carbon Tint	Flint <sup>Ⓢ</sup>	RAL 9005 Spray Paint on ○	●	●
Burnt Ash <sup>ⓂⓈⓖ</sup>	Burnt Ash <sup>ⓂⓈⓖ</sup>	RAL 9005 Spray Paint on ○	●	●
Ceramic <sup>ⓂⓈⓖ</sup>	Ceramic <sup>ⓂⓈⓖ</sup>	RAL 7044 Spray Paint on ○	○	RAL 7044 Spray Paint on ○
Champagne <sup>ⓂⓈ</sup>	Champagne <sup>ⓂⓈ</sup>	RAL 7012 Spray Paint on ○	●	RAL 7012 Spray Paint on ○
Charcoal <sup>ⓂⓈⓖ</sup>	Charcoal <sup>ⓂⓈⓖ</sup>	RAL 9005 Spray Paint on ○	●	●
Clay <sup>ⓂⓈⓖ</sup>	Clay <sup>ⓂⓈⓖ</sup>	RAL 7030 Spray Paint on ○	●	RAL 7030 Spray Paint on ○
Cloud <sup>ⓂⓈⓖ</sup>	Cloud <sup>ⓂⓈⓖ</sup>	○	○	○
Cocoa <sup>ⓂⓈⓖ</sup>	Cocoa <sup>ⓂⓈⓖ</sup>	RAL 8014 Spray Paint on ○	●	RAL 8014 Spray Paint on ○
Cognac <sup>ⓂⓈ</sup>	Cognac <sup>ⓂⓈ</sup>	RAL 8014 Spray Paint on ○	●	RAL 8014 Spray Paint on ○
Cream <sup>ⓂⓈⓖ</sup>	Cream <sup>ⓂⓈⓖ</sup>	○	○	○
Damson <sup>ⓂⓈⓖ</sup>	Damson <sup>ⓂⓈⓖ</sup>	RAL 8014 Spray Paint on ○	●	RAL 8014 Spray Paint on ○
Dove <sup>ⓂⓈⓖ</sup>	Dove <sup>ⓂⓈⓖ</sup>	RAL 7044 Spray Paint on ○	○	RAL 7044 Spray Paint on ○
Dusk <sup>ⓂⓈⓖ</sup>	Dusk <sup>ⓂⓈⓖ</sup>	●	●	●
Earth <sup>ⓂⓈⓖ</sup>	Earth <sup>ⓂⓈⓖ</sup>	RAL 8014 Spray Paint on ○	●	RAL 8014 Spray Paint on ○
Flint <sup>ⓂⓈⓖ</sup>	Flint <sup>ⓂⓈⓖ</sup>	RAL 9005 Spray Paint on ○	●	●
Frame Grey <sup>ⓂⓈⓖ</sup>	Frame Grey <sup>ⓂⓈⓖ</sup>	RAL 9005 Spray Paint on ○	●	●
Glimmer	Glimmer	RAL 1035 Spray Paint on ○	●	RAL 1035 Spray Paint on ○
Glow	Glow	RAL 1035 Spray Paint on ○	●	RAL 1035 Spray Paint on ○
Gold <sup>ⓂⓈ</sup>	Gold <sup>ⓂⓈ</sup>	RAL 1035 Spray Paint on ○	●	RAL 1035 Spray Paint on ○
Grey Moss <sup>ⓂⓈⓖ</sup>	Grey Moss <sup>ⓂⓈⓖ</sup>	RAL 9005 Spray Paint on ○	●	●
Gunmetal <sup>ⓂⓈ</sup>	Gunmetal <sup>ⓂⓈ</sup>	RAL 9005 Spray Paint on ○	●	●
Lead <sup>ⓂⓈⓖ</sup>	Lead <sup>ⓂⓈⓖ</sup>	RAL 9005 Spray Paint on ○	●	●
Light Bronze	Light Bronze	RAL 8014 Spray Paint on ○	●	RAL 8014 Spray Paint on ○
Matte Brass Toned	RAL1035 Powder Coat	RAL 1035 Spray Paint on ○	●	RAL 1035 Spray Paint on ○
Midnight	Midnight	RAL 9005 Spray Paint on ○	●	●
Millstone <sup>ⓂⓈⓖ</sup>	Millstone <sup>ⓂⓈⓖ</sup>	RAL 7030 Spray Paint on ○	●	RAL 7030 Spray Paint on ○
Mineral <sup>ⓂⓈⓖ</sup>	Mineral <sup>ⓂⓈⓖ</sup>	RAL 7044 Spray Paint on ○	○	RAL 7044 Spray Paint on ○
Moss <sup>ⓂⓈⓖ</sup>	Moss <sup>ⓂⓈⓖ</sup>	RAL 9005 Spray Paint on ○	●	●
Natural Steel	RAL 9022 Powder Coat	●	●	●
Night Sky	Night Sky	RAL 9005 Spray Paint on ○	●	●
Oatmeal <sup>ⓂⓈⓖ</sup>	Oatmeal <sup>ⓂⓈⓖ</sup>	RAL 7030 Spray Paint on ○	●	RAL 7030 Spray Paint on ○
Old Brass	Old Brass	RAL 1035 Spray Paint on ○	●	RAL 1035 Spray Paint on ○
Parchment <sup>ⓂⓈⓖ</sup>	Parchment <sup>ⓂⓈⓖ</sup>	RAL 7044 Spray Paint on ○	○	RAL 7044 Spray Paint on ○
Pewter <sup>ⓂⓈ</sup>	Pewter <sup>ⓂⓈ</sup>	RAL 9005 Spray Paint on ○	●	●
Platinum <sup>ⓂⓈ</sup>	Platinum <sup>ⓂⓈ</sup>	RAL 1035 Spray Paint on ○	●	RAL 1035 Spray Paint on ○
Polished	RAL 9022 Powder Coat	●	●	●

Track will be finished in a complementary colour to match the cover pole as per the table below.

**Coat Options** Matte<sup>Ⓜ</sup> • Satin<sup>Ⓢ</sup> • Gloss<sup>ⓖ</sup>

**Housing Colours** White  • Grey  • Black

Coverpole Finish	Internal Track Finish	Motor & Return Housing Finish		
		LUTRON	SOMFY	SILENT GLISS
Raven <sup>ⓂⓈⓖ</sup>	Raven <sup>ⓂⓈⓖ</sup>	RAL 9005 Spray Paint on <input type="radio"/>	<input checked="" type="radio"/>	<input checked="" type="radio"/>
Sky	Sky	RAL 7012 Spray Paint on <input type="radio"/>	<input checked="" type="radio"/>	RAL 7012 Spray Paint on <input type="radio"/>
Slate <sup>ⓂⓈⓖ</sup>	Slate <sup>ⓂⓈⓖ</sup>	RAL 7012 Spray Paint on <input type="radio"/>	<input checked="" type="radio"/>	RAL 7012 Spray Paint on <input type="radio"/>
Smoke <sup>ⓂⓈⓖ</sup>	Smoke <sup>ⓂⓈⓖ</sup>	RAL 9005 Spray Paint on <input type="radio"/>	<input checked="" type="radio"/>	<input checked="" type="radio"/>
Stone <sup>ⓂⓈⓖ</sup>	Stone <sup>ⓂⓈⓖ</sup>	RAL 7030 Spray Paint on <input type="radio"/>	<input checked="" type="radio"/>	RAL 1035 Spray Paint on <input type="radio"/>
Storm	Storm	RAL 1035 Spray Paint on <input type="radio"/>	<input checked="" type="radio"/>	<input checked="" type="radio"/>
Sunrise	Sunrise	RAL 8014 Spray Paint on <input type="radio"/>	<input checked="" type="radio"/>	RAL 8014 Spray Paint on <input type="radio"/>
Sunset	Sunset	RAL 1035 Spray Paint on <input type="radio"/>	<input checked="" type="radio"/>	RAL 1035 Spray Paint on <input type="radio"/>
Twilight	Twilight	RAL 1035 Spray Paint on <input type="radio"/>	<input checked="" type="radio"/>	RAL 1035 Spray Paint on <input type="radio"/>
Waxed	Waxed	RAL 9005 Spray Paint on <input type="radio"/>	<input checked="" type="radio"/>	<input checked="" type="radio"/>



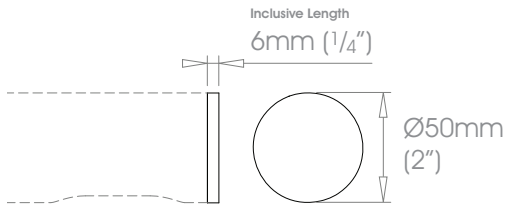
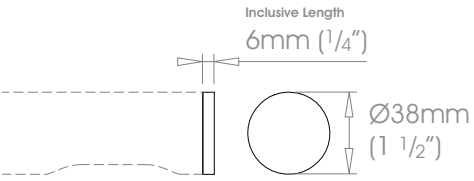


⚠ The end cap is an integral part of the coverpole.  
**If this option is selected finials can not be added at a later date.**

<b>FINISHES</b> <small>Coat Options</small> Matte ⊕ Satin ⊕ Gloss ⊕	<b>Stainless</b>	Brushed Stainless
	<b>Shades</b> ⊕⊕⊕	Cloud • Alabaster • Bone • Barley • Dusk • Ceramic • Cream • Mineral • Dove • Parchment • Oatmeal • Millstone • Stone • Clay • Grey Moss Slate • Cocoa • Moss • Damson • Smoke • Frame Grey • Lead • Earth • Burnt Ash • Flint • Charcoal • Raven
	<b>Metallics</b> ⊕⊕	Platinum • Champagne • Gold • Cognac • Antique Brass • Gunmetal • Pewter • Bronzed
	<b>Anodic Metals</b>	Twilight • Glow • Sky • Sunrise • Storm • Glimmer • Sunset • Night Sky • Midnight
	<b>Specialist</b>	Can be specified at twice the cost of the standard finish - Brushed Brass Tint • Brushed Bronze Tint • Brushed Carbon Tint Can be specified at twice the cost of the standard finish plus a custom fee - Old Brass • Light Bronze • Bronze Art
	<b>Custom</b>	See page 22 for details

**38mm (1 1/2")**

**50mm (2")**



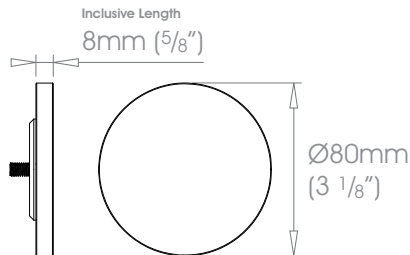
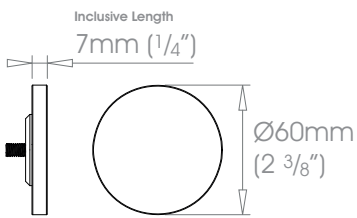


⚠ Not suitable for use with ceiling brackets

<b>FINISHES</b> <small>Coat Options</small> Matte ⊕ Satin ⊕ Gloss ⊕	<b>Stainless</b>	Brushed Stainless
	<b>Shades</b> ⊕⊕⊕	Cloud • Alabaster • Bone • Barley • Dusk • Ceramic • Cream • Mineral • Dove • Parchment • Oatmeal • Millstone • Stone • Clay • Grey Moss
	<b>Metallics</b> ⊕⊕	Slate • Cocoa • Moss • Damson • Smoke • Frame Grey • Lead • Earth • Burnt Ash • Flint • Charcoal • Raven
	<b>Anodic Metals</b>	Platinum • Champagne • Gold • Cognac • Antique Brass • Gunmetal • Pewter • Bronzed
	<b>Specialist</b>	Twilight • Glow • Sky • Sunrise • Storm • Glimmer • Sunset • Night Sky • Midnight Can be specified at twice the cost of the standard finish - Brushed Brass Tint • Brushed Bronze Tint • Brushed Carbon Tint Can be specified at twice the cost of the standard finish plus a custom fee - Old Brass • Light Bronze • Bronze Art See page 22 for details
<b>Custom</b>		

38mm (1 1/2")

50mm (2")

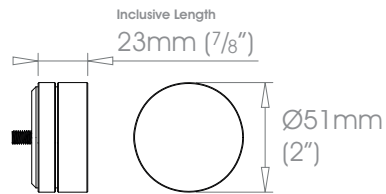
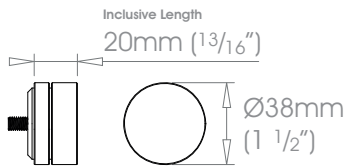




<b>FINISHES</b> Coat Options Matte ⊙ Satin ⊙ Gloss ⊙	<b>Stainless</b> <b>Shades</b> ⊙⊙⊙	Brushed Stainless Cloud • Alabaster • Bone • Barley • Dusk • Ceramic • Cream • Mineral • Dove • Parchment • Oatmeal • Millstone • Stone • Clay • Grey Moss Slate • Cocoa • Moss • Damson • Smoke • Frame Grey • Lead • Earth • Burnt Ash • Flint • Charcoal • Raven
	<b>Metallics</b> ⊙⊙	Platinum • Champagne • Gold • Cognac • Antique Brass • Gunmetal • Pewter • Bronzed
	<b>Anodic Metals</b>	Twilight • Glow • Sky • Sunrise • Storm • Glimmer • Sunset • Night Sky • Midnight
	<b>Specialist</b>	Can be specified at twice the cost of the standard finish - Brushed Brass Tint • Brushed Bronze Tint • Brushed Carbon Tint
	<b>Custom</b>	Can be specified at twice the cost of the standard finish plus a custom fee - Old Brass • Light Bronze • Bronze Art See page 22 for details

38mm (1 1/2")

50mm (2")





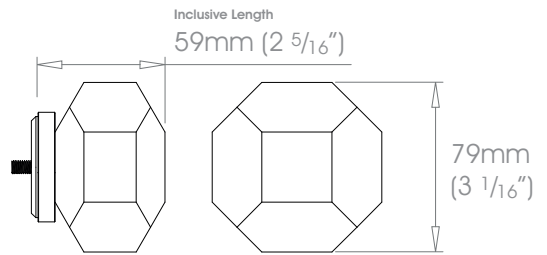
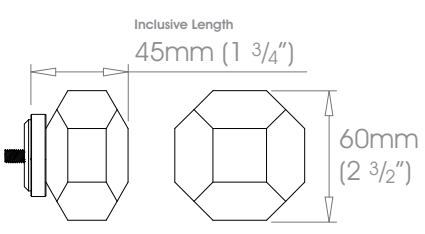


⚠ Not suitable for use with ceiling brackets

<b>FINISHES</b> Coat Options Matte ⊕ Satin ⊕ Gloss ⊕	<b>Stainless</b>	Brushed Stainless
	<b>Shades</b> ⊕⊕⊕	Cloud • Alabaster • Bone • Barley • Dusk • Ceramic • Cream • Mineral • Dove • Parchment • Oatmeal • Millstone • Stone • Clay • Grey Moss
	<b>Metallics</b> ⊕⊕	Slate • Cocoa • Moss • Damson • Smoke • Frame Grey • Lead • Earth • Burnt Ash • Flint • Charcoal • Raven
	<b>Anodic Metals</b>	Platinum • Champagne • Gold • Cognac • Antique Brass • Gunmetal • Pewter • Bronzed
	<b>Specialist</b>	Twilight • Glow • Sky • Sunrise • Storm • Glimmer • Sunset • Night Sky • Midnight Can be specified at twice the cost of the standard finish - Brushed Brass Tint • Brushed Bronze Tint • Brushed Carbon Tint Can be specified at twice the cost of the standard finish plus a custom fee - Old Brass • Light Bronze • Bronze Art See page 22 for details
<b>Custom</b>		

38mm (1 1/2")

50mm (2")



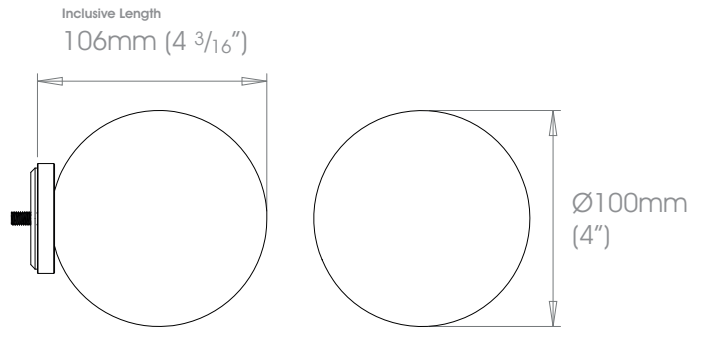
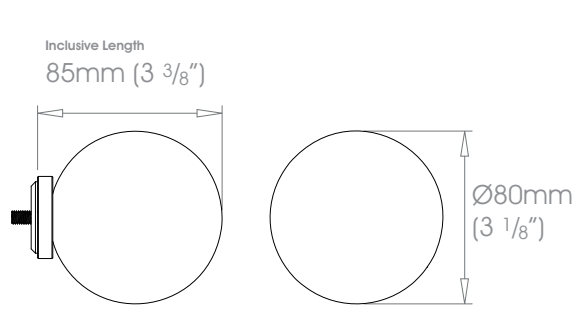


⚠ Not suitable for use with ceiling brackets

<b>FINISHES</b> <small>Coat Options</small> Matte ⊕ Satin ⊕ Gloss ⊕	<b>Stainless</b> Shades ⊕⊕⊕	Brushed Stainless Cloud • Alabaster • Bone • Barley • Dusk • Ceramic • Cream • Mineral • Dove • Parchment • Oatmeal • Millstone • Stone • Clay • Grey Moss Slate • Cocoa • Moss • Damson • Smoke • Frame Grey • Lead • Earth • Burnt Ash • Flint • Charcoal • Raven
	<b>Metallics</b> ⊕⊕	Platinum • Champagne • Gold • Cognac • Antique Brass • Gunmetal • Pewter • Bronzed
	<b>Anodic Metals</b>	Twilight • Glow • Sky • Sunrise • Storm • Glimmer • Sunset • Night Sky • Midnight
	<b>Specialist</b>	Can be specified at twice the cost of the standard finish - Brushed Brass Tint • Brushed Bronze Tint • Brushed Carbon Tint
	<b>Custom</b>	Can be specified at twice the cost of the standard finish plus a custom fee - Old Brass • Light Bronze • Bronze Art See page 22 for details

38mm (1 1/2")

50mm (2")



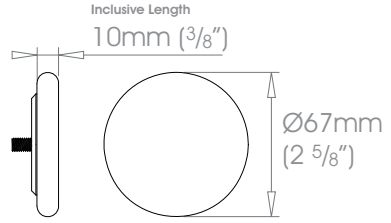
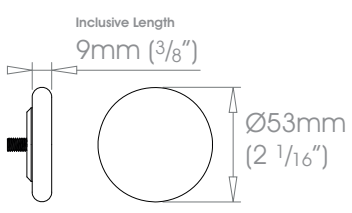


⚠ Not suitable for use with ceiling brackets

<b>FINISHES</b> <small>Coat Options</small> Matte ⊕ Satin ⊕ Gloss ⊕	<b>Stainless</b>	Brushed Stainless
	<b>Shades</b> ⊕⊕⊕	Cloud • Alabaster • Bone • Barley • Dusk • Ceramic • Cream • Mineral • Dove • Parchment • Oatmeal • Millstone • Stone • Clay • Grey Moss Slate • Cocoa • Moss • Damson • Smoke • Frame Grey • Lead • Earth • Burnt Ash • Flint • Charcoal • Raven
	<b>Metallics</b> ⊕⊕	Platinum • Champagne • Gold • Cognac • Antique Brass • Gunmetal • Pewter • Bronzed
	<b>Anodic Metals</b>	Twilight • Glow • Sky • Sunrise • Storm • Glimmer • Sunset • Night Sky • Midnight
	<b>Specialist</b>	Can be specified at twice the cost of the standard finish - Brushed Brass Tint • Brushed Bronze Tint • Brushed Carbon Tint Can be specified at twice the cost of the standard finish plus a custom fee - Old Brass • Light Bronze • Bronze Art See page 22 for details
	<b>Custom</b>	

38mm (1 1/2")

50mm (2")



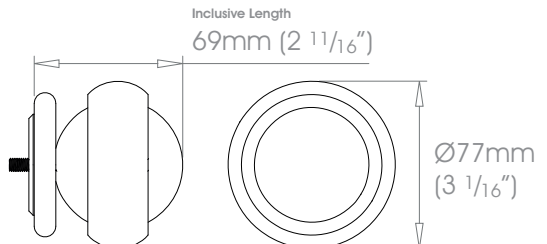
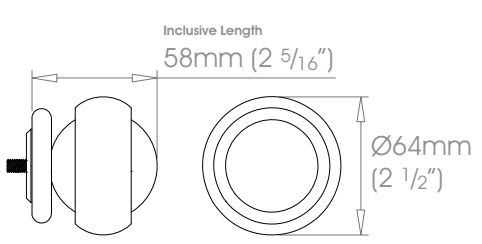


⚠ Not suitable for use with ceiling brackets

<b>FINISHES</b> <small>Coat Options</small> Matte ⊕ Satin ⊕ Gloss ⊕	<b>Stainless</b>	Brushed Stainless
	<b>Shades</b> ⊕⊕⊕	Cloud • Alabaster • Bone • Barley • Dusk • Ceramic • Cream • Mineral • Dove • Parchment • Oatmeal • Millstone • Stone • Clay • Grey Moss
	<b>Metallics</b> ⊕⊕	Slate • Cocoa • Moss • Damson • Smoke • Frame Grey • Lead • Earth • Burnt Ash • Flint • Charcoal • Raven
	<b>Anodic Metals</b>	Platinum • Champagne • Gold • Cognac • Antique Brass • Gunmetal • Pewter • Bronzed
	<b>Specialist</b>	Twilight • Glow • Sky • Sunrise • Storm • Glimmer • Sunset • Night Sky • Midnight Can be specified at twice the cost of the standard finish - Brushed Brass Tint • Brushed Bronze Tint • Brushed Carbon Tint Can be specified at twice the cost of the standard finish plus a custom fee - Old Brass • Light Bronze • Bronze Art See page 22 for details
<b>Custom</b>		

38mm (1 1/2")

50mm (2")

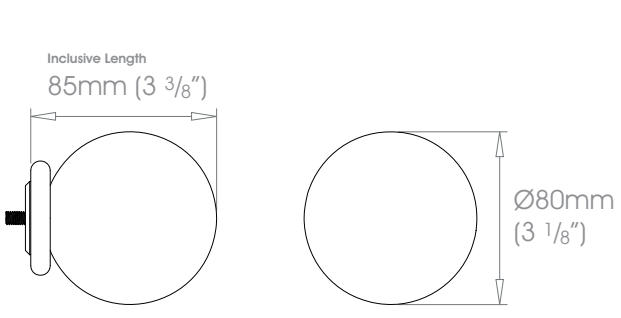




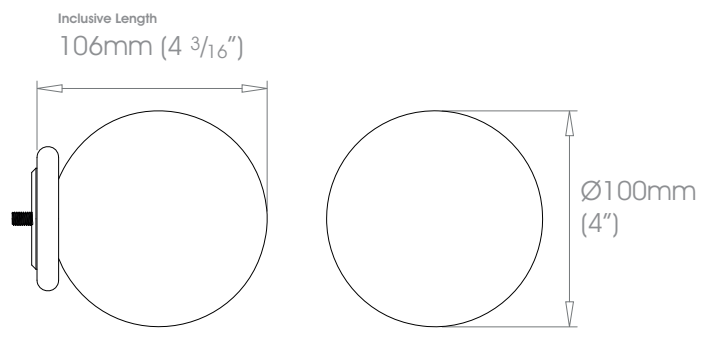
⚠ Not suitable for use with ceiling brackets

<b>FINISHES</b> <small>Coat Options</small> Matte ⊕ Satin ⊕ Gloss ⊕	<b>Stainless</b> Shades ⊕⊕⊕	Brushed Stainless Cloud • Alabaster • Bone • Barley • Dusk • Ceramic • Cream • Mineral • Dove • Parchment • Oatmeal • Millstone • Stone • Clay • Grey Moss Slate • Cocoa • Moss • Damson • Smoke • Frame Grey • Lead • Earth • Burnt Ash • Flint • Charcoal • Raven
	<b>Metallics</b> ⊕⊕	Platinum • Champagne • Gold • Cognac • Antique Brass • Gunmetal • Pewter • Bronzed
	<b>Anodic Metals</b>	Twilight • Glow • Sky • Sunrise • Storm • Glimmer • Sunset • Night Sky • Midnight
	<b>Specialist</b>	Can be specified at twice the cost of the standard finish - Brushed Brass Tint • Brushed Bronze Tint • Brushed Carbon Tint
	<b>Custom</b>	Can be specified at twice the cost of the standard finish plus a custom fee - Old Brass • Light Bronze • Bronze Art See page 22 for details


38mm (1 1/2")



50mm (2")



The following finials from our other collections can be specified on request.

 If one of the following finials are selected the track will be shortened by 21mm ( $1\frac{3}{16}$ "") to accommodate the over collar finial.

**MIO**

For specific please refer to the Mio Specification Guide.

Final	Diameter(s)
Stud	∅38mm (1 1/2") • ∅50mm (2")
Disc	∅38mm (1 1/2") • ∅50mm (2")
Squat Disc	∅38mm (1 1/2") • ∅50mm (2")
Faceted Disc	∅38mm (1 1/2") • ∅50mm (2")
Pebble	∅38mm (1 1/2") • ∅50mm (2")
Ball	∅38mm (1 1/2") • ∅50mm (2")
Crystal Ball	∅38mm (1 1/2") • ∅50mm (2")

**ELYSIAN**

For specific please refer to the Elysian Specification Guide.

Final	Diameter(s)
Halo	∅38mm (1 1/2") • ∅50mm (2")
Aura	∅38mm (1 1/2") • ∅50mm (2")
Orbit	∅38mm (1 1/2") • ∅50mm (2")
Discus	∅38mm (1 1/2") • ∅50mm (2")
Squat Globe	∅38mm (1 1/2") • ∅50mm (2")
Globe	∅38mm (1 1/2") • ∅50mm (2")
Ribbed Globe	∅38mm (1 1/2") • ∅50mm (2")
Jewel	∅38mm (1 1/2") • ∅50mm (2")
Flute	∅38mm (1 1/2") • ∅50mm (2")
Charm	∅38mm (1 1/2") • ∅50mm (2")
Templar	∅38mm (1 1/2") • ∅50mm (2")
Crystal Templar	∅38mm (1 1/2") • ∅50mm (2")

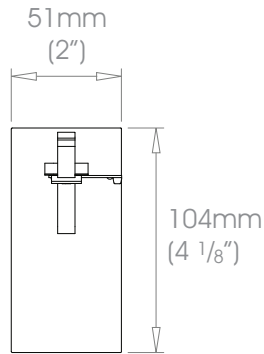
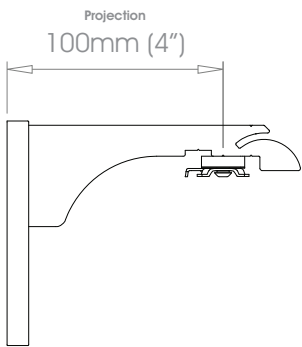




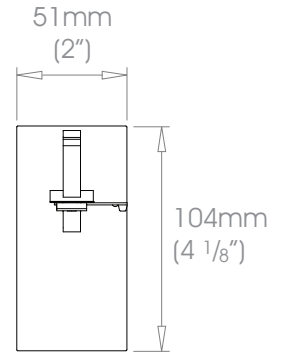
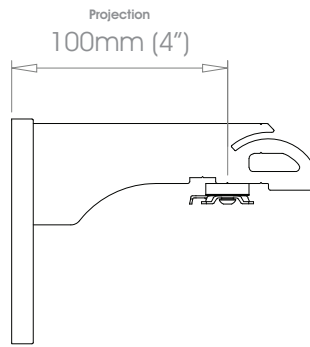
⚠ Brackets will be supplied with the relevant track fixing, which may differ to those shown in the diagrams

<b>FINISHES</b> Coat Options Matte ⊕ Satin ⊕ Gloss ⊕	<b>Stainless</b>	Brushed Stainless
	<b>Shades</b> ⊕⊕⊕	Cloud • Alabaster • Bone • Barley • Dusk • Ceramic • Cream • Mineral • Dove • Parchment • Oatmeal • Millstone • Stone • Clay • Grey Moss
	<b>Metallics</b> ⊕⊕	Platinum • Champagne • Gold • Cognac • Antique Brass • Gunmetal • Pewter • Bronzed
	<b>Anodic Metals</b>	Twilight • Glow • Sky • Sunrise • Storm • Glimmer • Sunset • Night Sky • Midnight
	<b>Specialist</b>	Can be specified at twice the cost of the standard finish - Brushed Brass Tint • Brushed Bronze Tint • Brushed Carbon Tint
	<b>Custom</b>	Can be specified at twice the cost of the standard finish plus a custom fee - Old Brass • Light Bronze • Bronze Art See page 22 for details

38mm (1 1/2")



50mm (2")



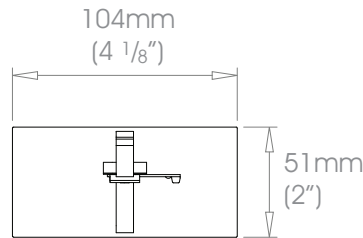
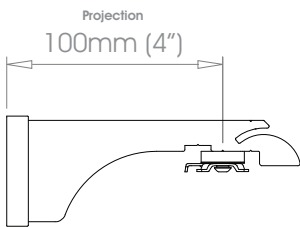




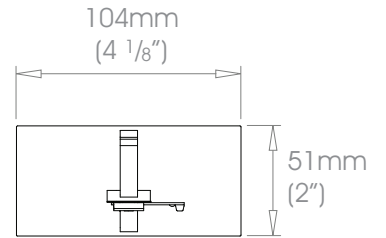
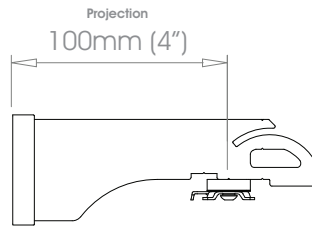
⚠ Brackets will be supplied with the relevant track fixing, which may differ to those shown in the diagrams

<b>FINISHES</b> Coat Options Matte ⊕ Satin ⊕ Gloss ⊕	<b>Stainless</b>	Brushed Stainless
	<b>Shades</b> ⊕⊕⊕	Cloud • Alabaster • Bone • Barley • Dusk • Ceramic • Cream • Mineral • Dove • Parchment • Oatmeal • Millstone • Stone • Clay • Grey Moss
	<b>Metallics</b> ⊕⊕	Slate • Cocoa • Moss • Damson • Smoke • Frame Grey • Lead • Earth • Burnt Ash • Flint • Charcoal • Raven
	<b>Anodic Metals</b>	Platinum • Champagne • Gold • Cognac • Antique Brass • Gunmetal • Pewter • Bronzed
	<b>Specialist</b>	Twilight • Glow • Sky • Sunrise • Storm • Glimmer • Sunset • Night Sky • Midnight
<b>Custom</b>	Can be specified at twice the cost of the standard finish plus a custom fee - Old Brass • Light Bronze • Bronze Art See page 22 for details	

38mm (1 1/2")



50mm (2")

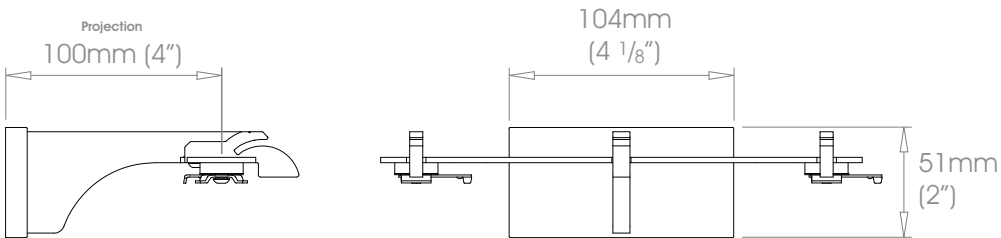




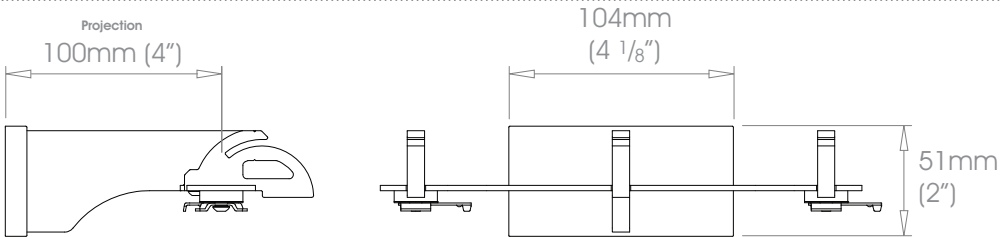
⚠ Brackets will be supplied with the relevant track fixing, which may differ to those shown in the diagrams

<b>FINISHES</b> Coat Options Matte ⊕ Satin ⊕ Gloss ⊕	<b>Stainless</b>	Brushed Stainless
	<b>Shades</b> ⊕⊕⊕	Cloud • Alabaster • Bone • Barley • Dusk • Ceramic • Cream • Mineral • Dove • Parchment • Oatmeal • Millstone • Stone • Clay • Grey Moss Slate • Cocoa • Moss • Damson • Smoke • Frame Grey • Lead • Earth • Burnt Ash • Flint • Charcoal • Raven
	<b>Metallics</b> ⊕⊕	Platinum • Champagne • Gold • Cognac • Antique Brass • Gunmetal • Pewter • Bronzed
	<b>Anodic Metals</b>	Twilight • Glow • Sky • Sunrise • Storm • Glimmer • Sunset • Night Sky • Midnight
	<b>Specialist</b>	Can be specified at twice the cost of the standard finish - Brushed Brass Tint • Brushed Bronze Tint • Brushed Carbon Tint Can be specified at twice the cost of the standard finish plus a custom fee - Old Brass • Light Bronze • Bronze Art See page 22 for details
	<b>Custom</b>	

38mm (1 1/2")



50mm (2")

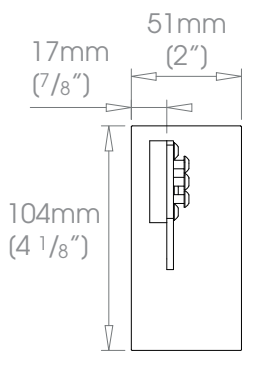




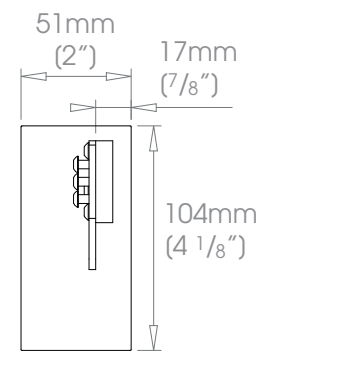
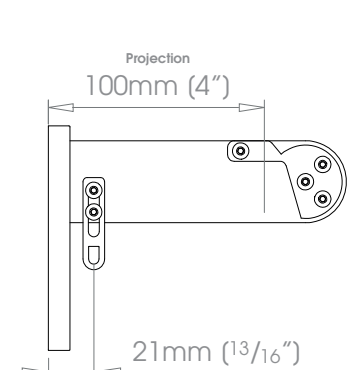
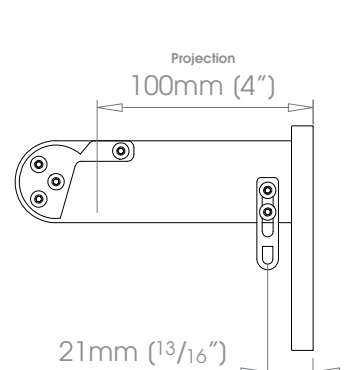
⚠ Brackets will be supplied with a support clamp, See page 54

- FINISHES**
- Stainless** Brushed Stainless
  - Shades** ☉☉☉ Cloud • Alabaster • Bone • Barley • Dusk • Ceramic • Cream • Mineral • Dove • Parchment • Oatmeal • Millstone • Stone • Clay • Grey Moss
  - Coat Options** Slate • Cocoa • Moss • Damson • Smoke • Frame Grey • Lead • Earth • Burnt Ash • Flint • Charcoal • Raven
  - Matte** ☉ **Metallics** ☉☉ Platinum • Champagne • Gold • Cognac • Antique Brass • Gunmetal • Pewter • Bronzed
  - Satin** ☉ **Anodic Metals** Twilight • Glow • Sky • Sunrise • Storm • Glimmer • Sunset • Night Sky • Midnight
  - Gloss** ☉ **Specialist** Can be specified at twice the cost of the standard finish - Brushed Brass Tint • Brushed Bronze Tint • Brushed Carbon Tint
  - Custom** Can be specified at twice the cost of the standard finish plus a custom fee - Old Brass • Light Bronze • Bronze Art
- See page 22 for details

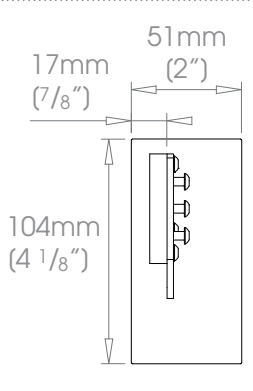
**38mm (1 1/2") - LEFT**



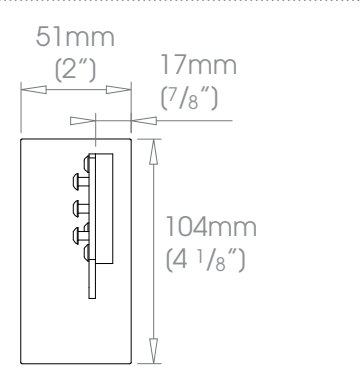
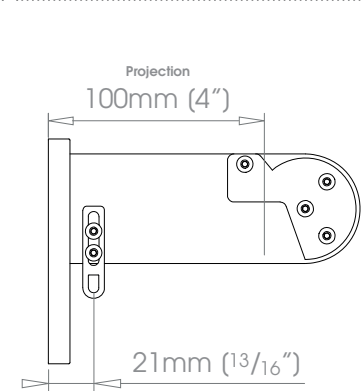
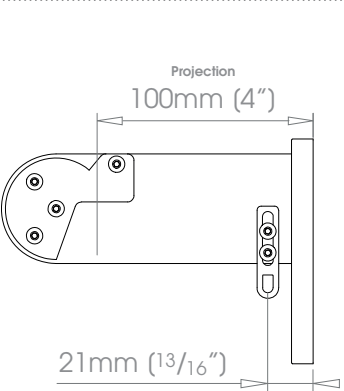
**38mm (1 1/2") - RIGHT**



**50mm (2") - LEFT**



**50mm (2") - RIGHT**



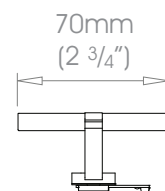
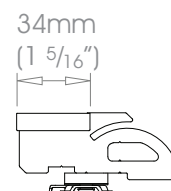
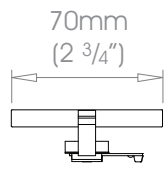
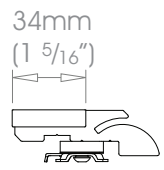


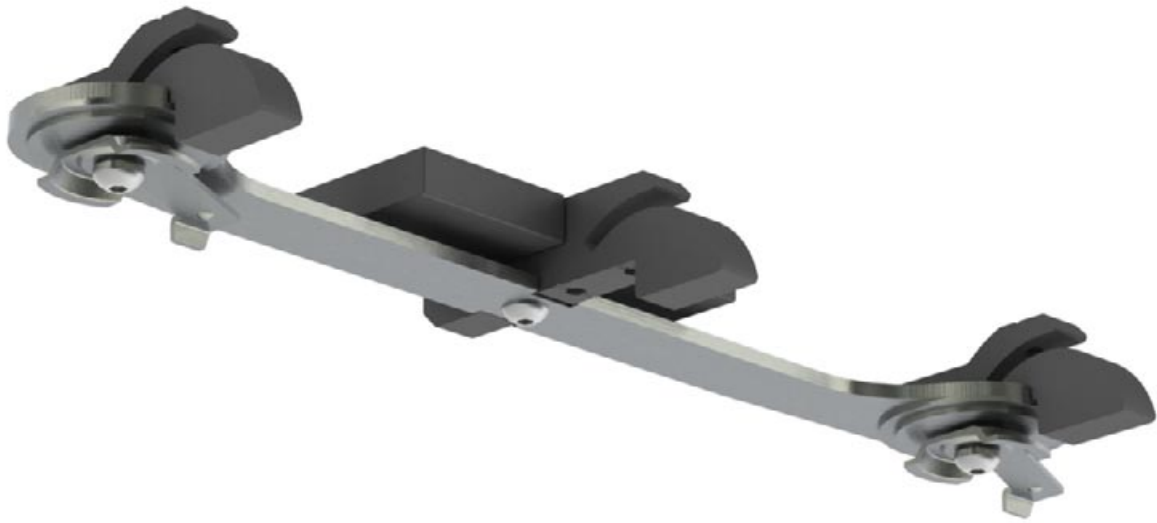
⚠ Brackets will be supplied with the relevant track fixing, which may differ to those shown in the diagrams

<b>FINISHES</b> Coat Options Matte ⊕ Satin ⊕ Gloss ⊕	<b>Stainless</b>	Brushed Stainless
	<b>Shades</b> ⊕⊕⊕	Cloud • Alabaster • Bone • Barley • Dusk • Ceramic • Cream • Mineral • Dove • Parchment • Oatmeal • Millstone • Stone • Clay • Grey Moss
	<b>Metallics</b> ⊕⊕	Slate • Cocoa • Moss • Damson • Smoke • Frame Grey • Lead • Earth • Burnt Ash • Flint • Charcoal • Raven
	<b>Anodic Metals</b>	Platinum • Champagne • Gold • Cognac • Antique Brass • Gunmetal • Pewter • Bronzed
	<b>Specialist</b>	Twilight • Glow • Sky • Sunrise • Storm • Glimmer • Sunset • Night Sky • Midnight Can be specified at twice the cost of the standard finish - Brushed Brass Tint • Brushed Bronze Tint • Brushed Carbon Tint Can be specified at twice the cost of the standard finish plus a custom fee - Old Brass • Light Bronze • Bronze Art See page 22 for details
<b>Custom</b>		

38mm (1 1/2")

50mm (2")



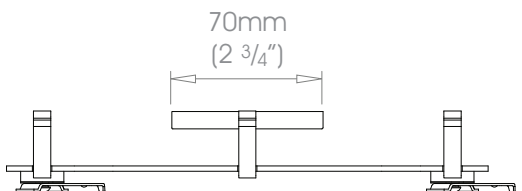
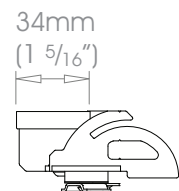
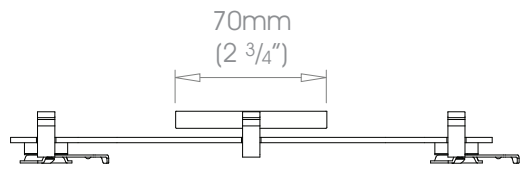
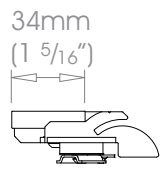


⚠ Brackets will be supplied with the relevant track fixing, which may differ to those shown in the diagrams

<b>FINISHES</b> Coat Options Matte ⊕ Satin ⊕ Gloss ⊕	<b>Stainless</b> Shaded ⊕⊕⊕	Brushed Stainless Cloud • Alabaster • Bone • Barley • Dusk • Ceramic • Cream • Mineral • Dove • Parchment • Oatmeal • Millstone • Stone • Clay • Grey Moss Slate • Cocoa • Moss • Damson • Smoke • Frame Grey • Lead • Earth • Burnt Ash • Flint • Charcoal • Raven
	<b>Metallics</b> ⊕⊕	Platinum • Champagne • Gold • Cognac • Antique Brass • Gunmetal • Pewter • Bronzed
	<b>Anodic Metals</b>	Twilight • Glow • Sky • Sunrise • Storm • Glimmer • Sunset • Night Sky • Midnight
	<b>Specialist</b>	Can be specified at twice the cost of the standard finish - Brushed Brass Tint • Brushed Bronze Tint • Brushed Carbon Tint
	<b>Custom</b>	Can be specified at twice the cost of the standard finish plus a custom fee - Old Brass • Light Bronze • Bronze Art See page 22 for details

38mm (1 1/2")

50mm (2")

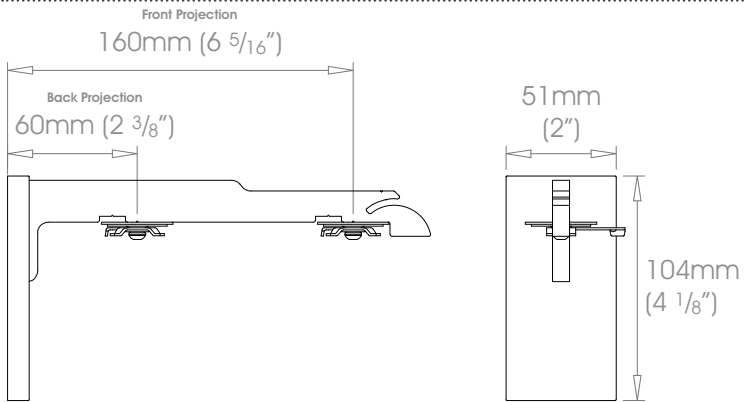




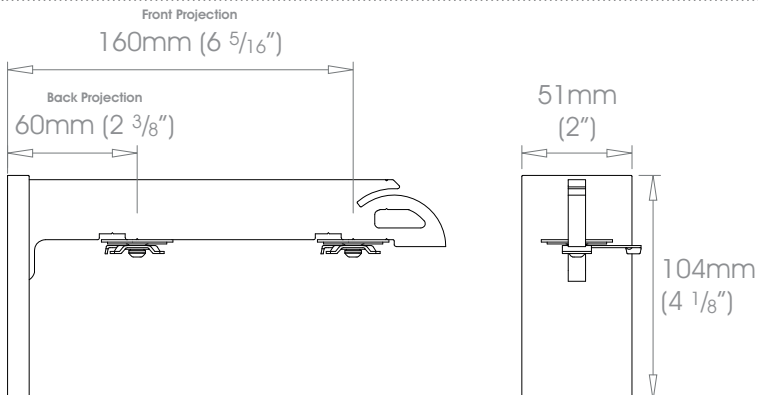
⚠ Brackets will be supplied with the relevant track fixing, which may differ to those shown in the diagrams

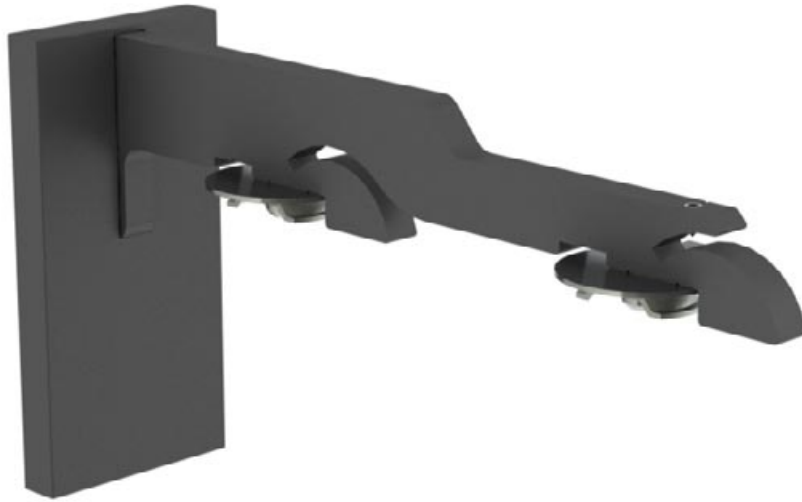
<b>FINISHES</b> Coat Options Matte Ⓞ Satin Ⓞ Gloss Ⓞ	<b>Stainless</b> Shades ⓄⓄⓄ	Brushed Stainless Cloud • Alabaster • Bone • Barley • Dusk • Ceramic • Cream • Mineral • Dove • Parchment • Oatmeal • Millstone • Stone • Clay • Grey Moss Slate • Cocoa • Moss • Damson • Smoke • Frame Grey • Lead • Earth • Burnt Ash • Flint • Charcoal • Raven
	<b>Metallics</b> ⓄⓄ	Platinum • Champagne • Gold • Cognac • Antique Brass • Gunmetal • Pewter • Bronzed
	<b>Anodic Metals</b>	Twilight • Glow • Sky • Sunrise • Storm • Glimmer • Sunset • Night Sky • Midnight
	<b>Specialist</b>	Can be specified at twice the cost of the standard finish - Brushed Brass Tint • Brushed Bronze Tint • Brushed Carbon Tint
	<b>Custom</b>	Can be specified at twice the cost of the standard finish plus a custom fee - Old Brass • Light Bronze • Bronze Art See page 22 for details

Front 38mm (1 1/2") - Back Uncovered



Front 50mm (2") - Back Uncovered

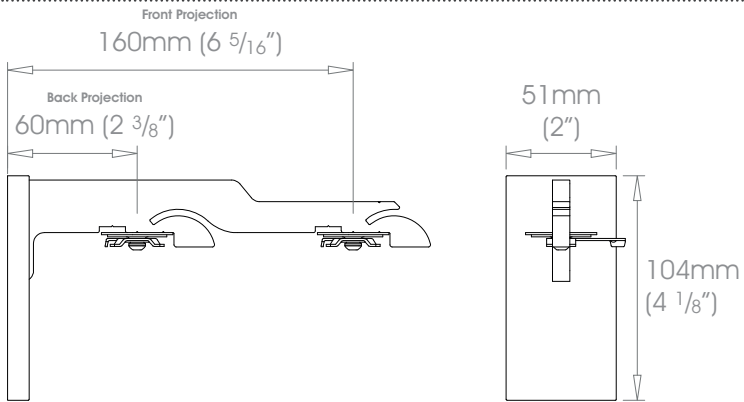




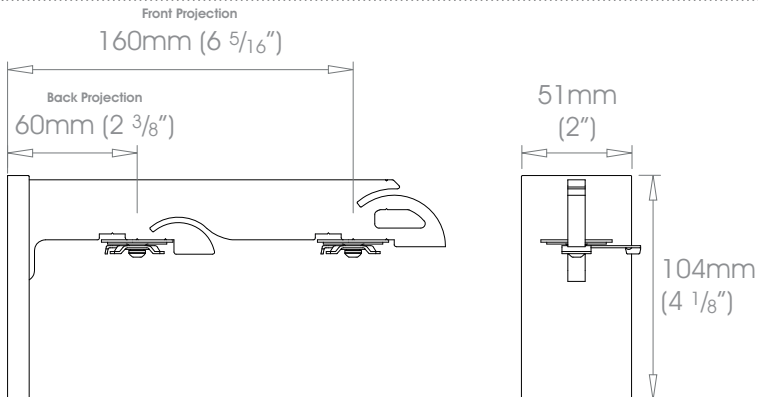
⚠ Brackets will be supplied with the relevant track fixing, which may differ to those shown in the diagrams

<b>FINISHES</b> Coat Options Matte Ⓞ Satin Ⓞ Gloss Ⓞ	<b>Stainless</b> Shades ⓄⓄⓄ	Brushed Stainless Cloud • Alabaster • Bone • Barley • Dusk • Ceramic • Cream • Mineral • Dove • Parchment • Oatmeal • Millstone • Stone • Clay • Grey Moss Slate • Cocoa • Moss • Damson • Smoke • Frame Grey • Lead • Earth • Burnt Ash • Flint • Charcoal • Raven
	<b>Metallics</b> ⓄⓄ	Platinum • Champagne • Gold • Cognac • Antique Brass • Gunmetal • Pewter • Bronzed
	<b>Anodic Metals</b>	Twilight • Glow • Sky • Sunrise • Storm • Glimmer • Sunset • Night Sky • Midnight
	<b>Specialist</b>	Can be specified at twice the cost of the standard finish - Brushed Brass Tint • Brushed Bronze Tint • Brushed Carbon Tint
	<b>Custom</b>	Can be specified at twice the cost of the standard finish plus a custom fee - Old Brass • Light Bronze • Bronze Art See page 22 for details

Front 38mm (1 1/2") - Back 38mm (1 1/2")



Front 50mm (2") - Back 38mm (1 1/2")

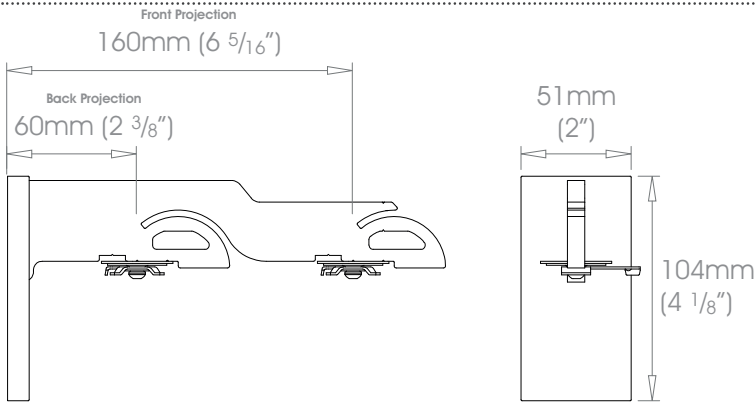




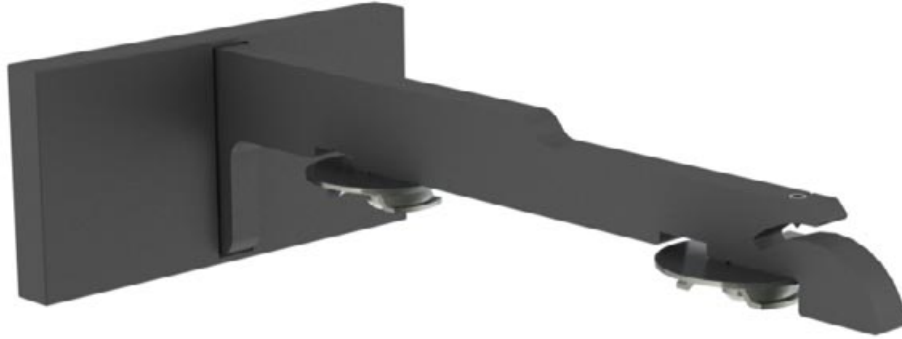
⚠ Brackets will be supplied with the relevant track fixing, which may differ to those shown in the diagrams

<b>FINISHES</b> Coat Options Matte Satin Gloss	<b>Stainless</b> Shades	Brushed Stainless Cloud • Alabaster • Bone • Barley • Dusk • Ceramic • Cream • Mineral • Dove • Parchment • Oatmeal • Millstone • Stone • Clay • Grey Moss Slate • Cocoa • Moss • Damson • Smoke • Frame Grey • Lead • Earth • Burnt Ash • Flint • Charcoal • Raven
	<b>Metallics</b>	Platinum • Champagne • Gold • Cognac • Antique Brass • Gunmetal • Pewter • Bronzed
	<b>Anodic Metals</b>	Twilight • Glow • Sky • Sunrise • Storm • Glimmer • Sunset • Night Sky • Midnight
	<b>Specialist</b>	Can be specified at twice the cost of the standard finish - Brushed Brass Tint • Brushed Bronze Tint • Brushed Carbon Tint Can be specified at twice the cost of the standard finish plus a custom fee - Old Brass • Light Bronze • Bronze Art See page 22 for details
	<b>Custom</b>	See page 22 for details

Front 50mm (2") - Back 50mm (2")



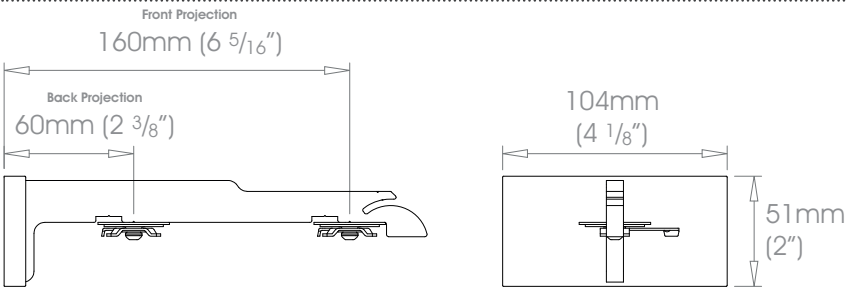




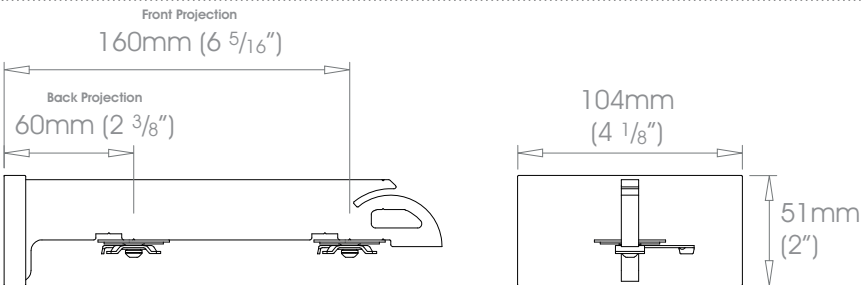
⚠ Brackets will be supplied with the relevant track fixing, which may differ to those shown in the diagrams

<b>FINISHES</b> Coat Options Matte ⊕ Satin ⊕ Gloss ⊕	<b>Stainless</b> <b>Shades</b> ⊕⊕⊕	Brushed Stainless Cloud • Alabaster • Bone • Barley • Dusk • Ceramic • Cream • Mineral • Dove • Parchment • Oatmeal • Millstone • Stone • Clay • Grey Moss Slate • Cocoa • Moss • Damson • Smoke • Frame Grey • Lead • Earth • Burnt Ash • Flint • Charcoal • Raven
	<b>Metallics</b> ⊕⊕	Platinum • Champagne • Gold • Cognac • Antique Brass • Gunmetal • Pewter • Bronzed
	<b>Anodic Metals</b>	Twilight • Glow • Sky • Sunrise • Storm • Glimmer • Sunset • Night Sky • Midnight
	<b>Specialist</b>	Can be specified at twice the cost of the standard finish - Brushed Brass Tint • Brushed Bronze Tint • Brushed Carbon Tint
	<b>Custom</b>	Can be specified at twice the cost of the standard finish plus a custom fee - Old Brass • Light Bronze • Bronze Art See page 22 for details

**Front 38mm (1 1/2") - Back Uncovered**



**Front 50mm (2") - Back Uncovered**





Brackets will be supplied with the relevant track fixing, which may differ to those shown in the diagrams

### FINISHES

#### Coat Options

Matte ⊗  
Satin ⊗  
Gloss ⊗

#### Stainless

#### Shades ⊗⊗⊗

#### Metallics ⊗⊗

#### Anodic Metals

#### Specialist

#### Custom

Brushed Stainless

Cloud • Alabaster • Bone • Barley • Dusk • Ceramic • Cream • Mineral • Dove • Parchment • Oatmeal • Millstone • Stone • Clay • Grey Moss  
Slate • Cocoa • Moss • Damson • Smoke • Frame Grey • Lead • Earth • Burnt Ash • Flint • Charcoal • Raven

Platinum • Champagne • Gold • Cognac • Antique Brass • Gunmetal • Pewter • Bronzed

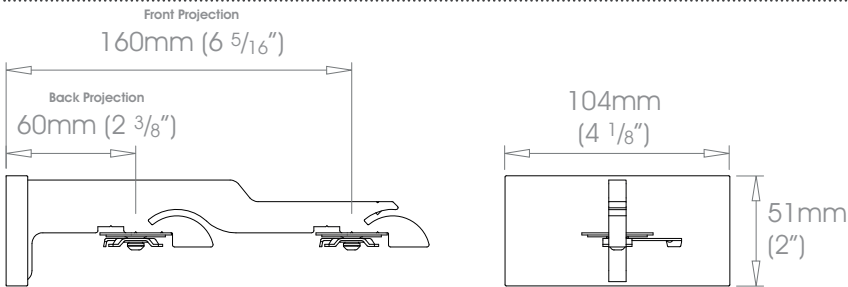
Twilight • Glow • Sky • Sunrise • Storm • Glimmer • Sunset • Night Sky • Midnight

Can be specified at twice the cost of the standard finish - Brushed Brass Tint • Brushed Bronze Tint • Brushed Carbon Tint

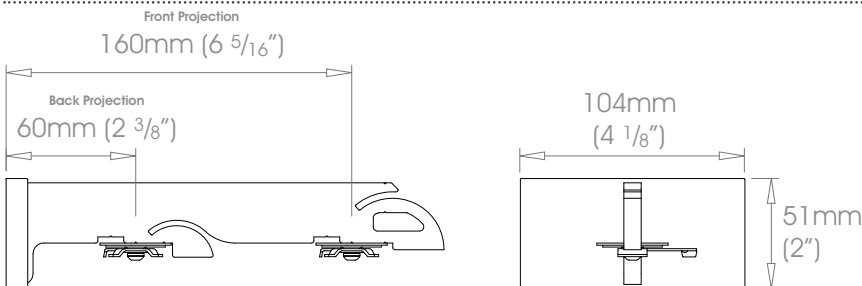
Can be specified at twice the cost of the standard finish plus a custom fee - Old Brass • Light Bronze • Bronze Art

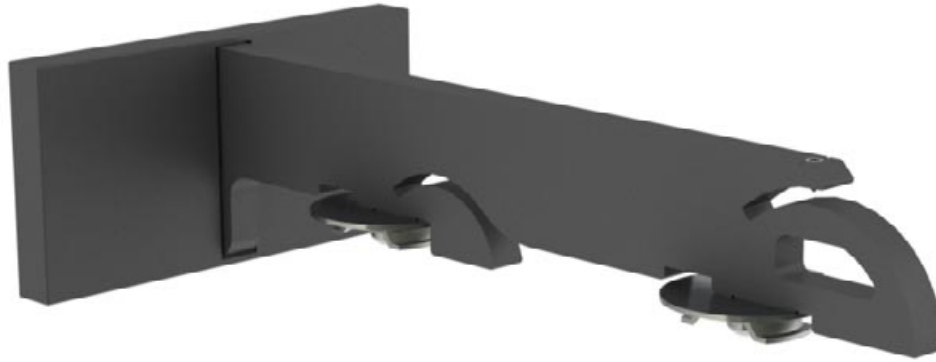
See page 22 for details

### Front 38mm (1 1/2") - Back 38mm (1 1/2")



### Front 50mm (2") - Back 38mm (1 1/2")

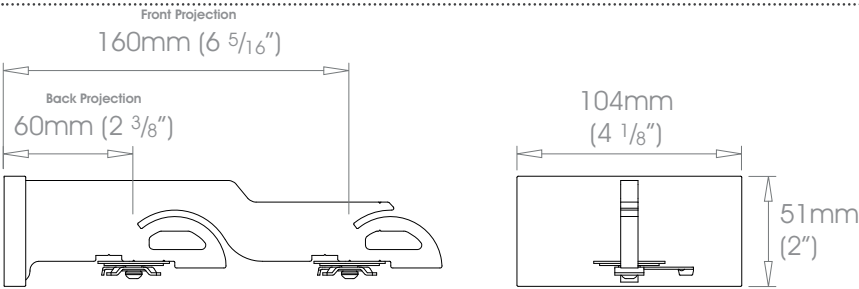




⚠ Brackets will be supplied with the relevant track fixing, which may differ to those shown in the diagrams

<b>FINISHES</b> <small>Coat Options</small> <small>Matte</small> <small>Satin</small> <small>Gloss</small>	<b>Stainless</b>	Brushed Stainless
	<b>Shades</b> ☉☉☉	Cloud • Alabaster • Bone • Barley • Dusk • Ceramic • Cream • Mineral • Dove • Parchment • Oatmeal • Millstone • Stone • Clay • Grey Moss Slate • Cocoa • Moss • Damson • Smoke • Frame Grey • Lead • Earth • Burnt Ash • Flint • Charcoal • Raven
	<b>Metallics</b> ☉☉	Platinum • Champagne • Gold • Cognac • Antique Brass • Gunmetal • Pewter • Bronzed
	<b>Anodic Metals</b>	Twilight • Glow • Sky • Sunrise • Storm • Glimmer • Sunset • Night Sky • Midnight
	<b>Specialist</b>	Can be specified at twice the cost of the standard finish - Brushed Brass Tint • Brushed Bronze Tint • Brushed Carbon Tint Can be specified at twice the cost of the standard finish plus a custom fee - Old Brass • Light Bronze • Bronze Art See page 22 for details
<b>Custom</b>		

Front 50mm (2") - Back 50mm (2")





Brackets will be supplied with the relevant track fixing, which may differ to those shown in the diagrams

### FINISHES

#### Coat Options

Matte ⊕  
Satin ⊕  
Gloss ⊕

#### Stainless

#### Shades ⊕⊕⊕

#### Metallics ⊕⊕

#### Anodic Metals

#### Specialist

#### Custom

Brushed Stainless

Cloud • Alabaster • Bone • Barley • Dusk • Ceramic • Cream • Mineral • Dove • Parchment • Oatmeal • Millstone • Stone • Clay • Grey Moss  
Slate • Cocoa • Moss • Damson • Smoke • Frame Grey • Lead • Earth • Burnt Ash • Flint • Charcoal • Raven

Platinum • Champagne • Gold • Cognac • Antique Brass • Gunmetal • Pewter • Bronzed

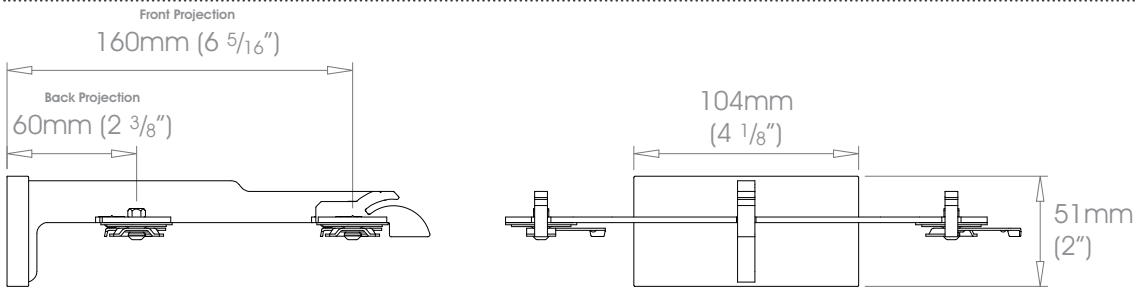
Twilight • Glow • Sky • Sunrise • Storm • Glimmer • Sunset • Night Sky • Midnight

Can be specified at twice the cost of the standard finish - Brushed Brass Tint • Brushed Bronze Tint • Brushed Carbon Tint

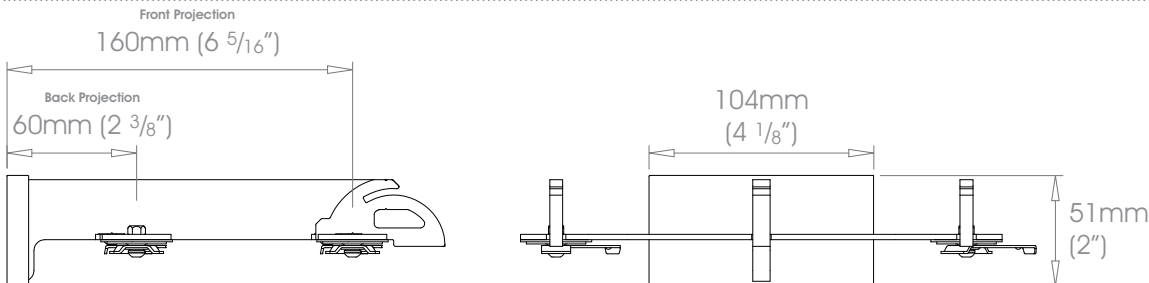
Can be specified at twice the cost of the standard finish plus a custom fee - Old Brass • Light Bronze • Bronze Art

See page 22 for details

### Front 38mm (1 1/2") - Back Uncovered



### Front 50mm (2") - Back Uncovered

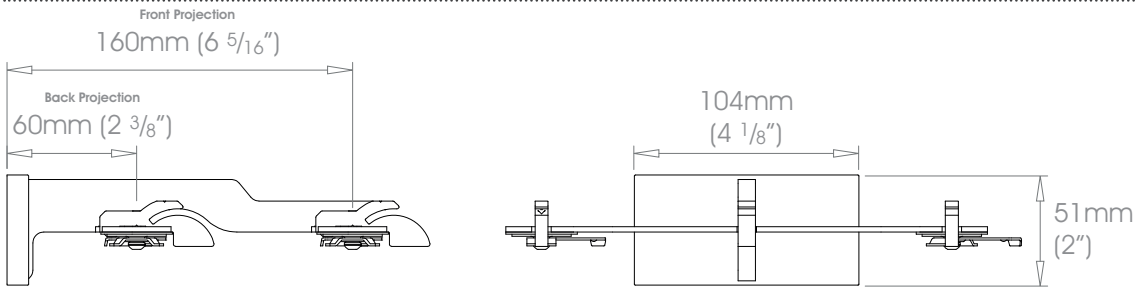




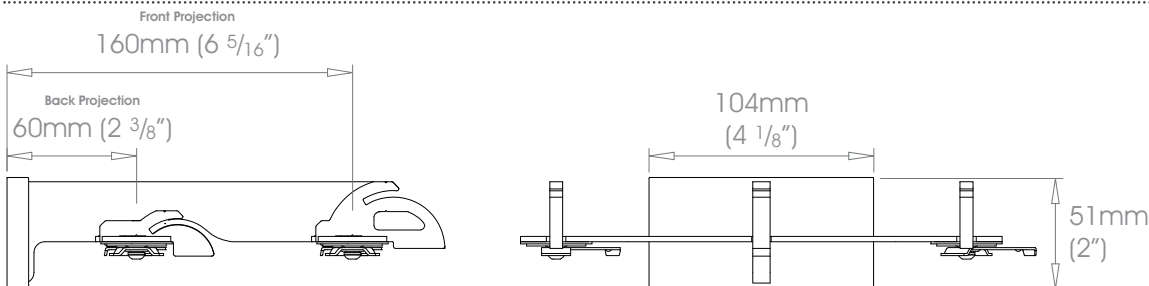
⚠ Brackets will be supplied with the relevant track fixing, which may differ to those shown in the diagrams

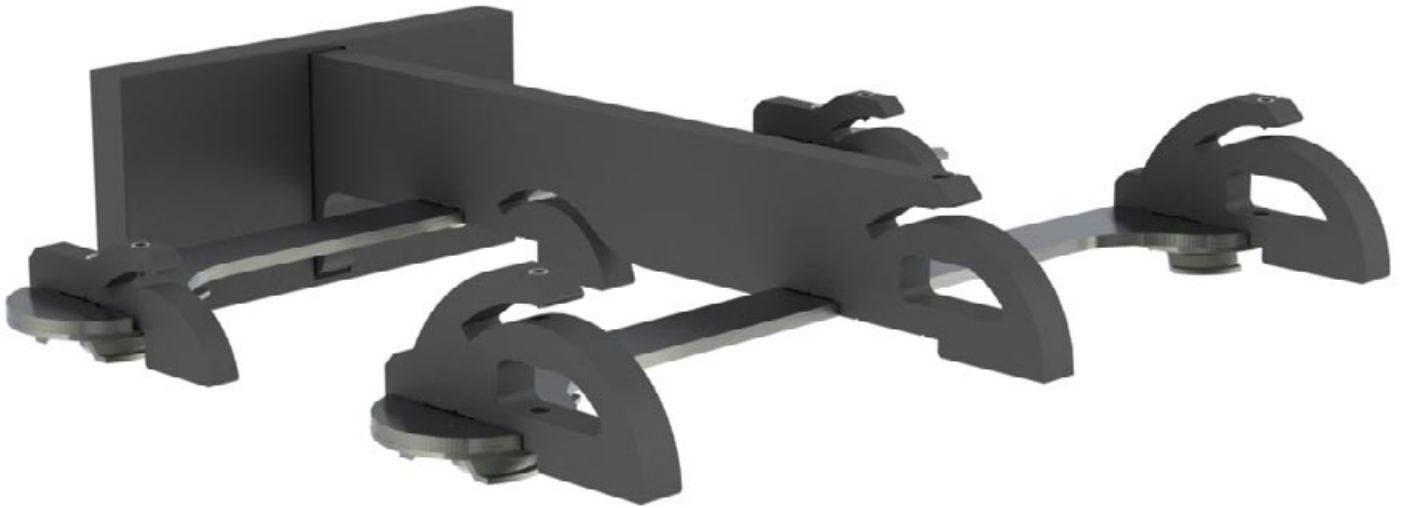
<b>FINISHES</b> Coat Options Matte ⊕ Satin ⊕ Gloss ⊕	<b>Stainless</b> <b>Shades</b> ⊕⊕⊕	Brushed Stainless Cloud • Alabaster • Bone • Barley • Dusk • Ceramic • Cream • Mineral • Dove • Parchment • Oatmeal • Millstone • Stone • Clay • Grey Moss Slate • Cocoa • Moss • Damson • Smoke • Frame Grey • Lead • Earth • Burnt Ash • Flint • Charcoal • Raven
	<b>Metallics</b> ⊕⊕	Platinum • Champagne • Gold • Cognac • Antique Brass • Gunmetal • Pewter • Bronzed
	<b>Anodic Metals</b>	Twilight • Glow • Sky • Sunrise • Storm • Glimmer • Sunset • Night Sky • Midnight
	<b>Specialist</b>	Can be specified at twice the cost of the standard finish - Brushed Brass Tint • Brushed Bronze Tint • Brushed Carbon Tint
	<b>Custom</b>	Can be specified at twice the cost of the standard finish plus a custom fee - Old Brass • Light Bronze • Bronze Art See page 22 for details

### Front 38mm (1 1/2") - Back 38mm (1 1/2")



### Front 50mm (2") - Back 38mm (1 1/2")

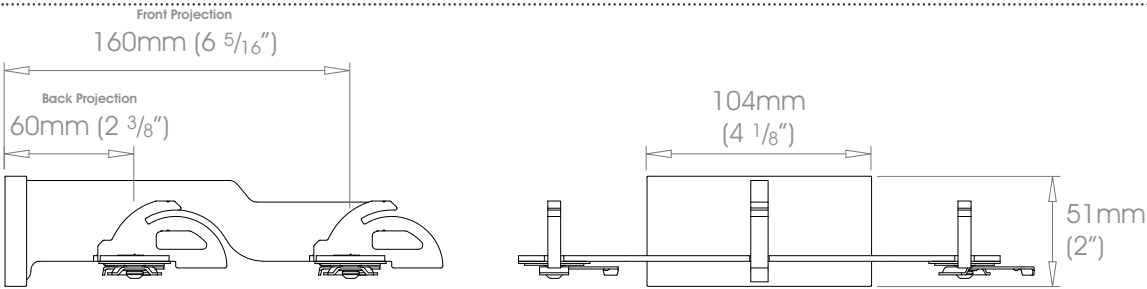


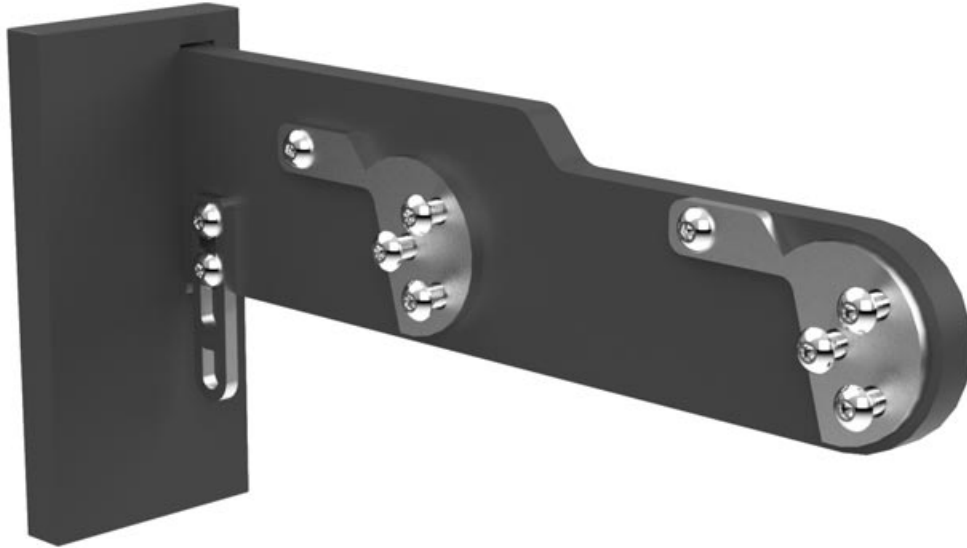


⚠ Brackets will be supplied with the relevant track fixing, which may differ to those shown in the diagrams

<b>FINISHES</b> Coat Options Matte ⊙ Satin ⊙ Gloss ⊙	<b>Stainless</b> Shades ⊙⊙⊙	Brushed Stainless Cloud • Alabaster • Bone • Barley • Dusk • Ceramic • Cream • Mineral • Dove • Parchment • Oatmeal • Millstone • Stone • Clay • Grey Moss Slate • Cocoa • Moss • Damson • Smoke • Frame Grey • Lead • Earth • Burnt Ash • Flint • Charcoal • Raven
	<b>Metallics</b> ⊙⊙	Platinum • Champagne • Gold • Cognac • Antique Brass • Gunmetal • Pewter • Bronzed
	<b>Anodic Metals</b>	Twilight • Glow • Sky • Sunrise • Storm • Glimmer • Sunset • Night Sky • Midnight
	<b>Specialist</b>	Can be specified at twice the cost of the standard finish - Brushed Brass Tint • Brushed Bronze Tint • Brushed Carbon Tint
	<b>Custom</b>	Can be specified at twice the cost of the standard finish plus a custom fee - Old Brass • Light Bronze • Bronze Art See page 22 for details

Front 50mm (2") - Back 50mm (2")

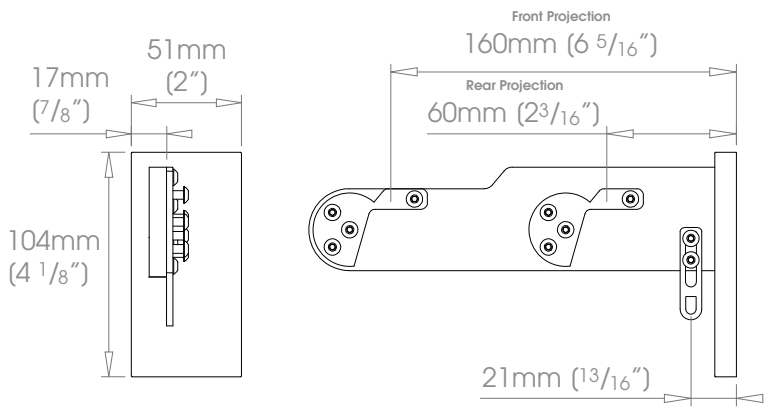




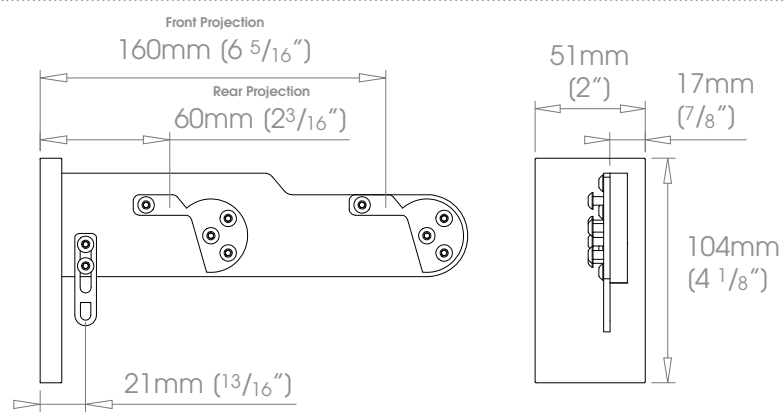
⚠ Brackets will be supplied with a support clamp, See page 54

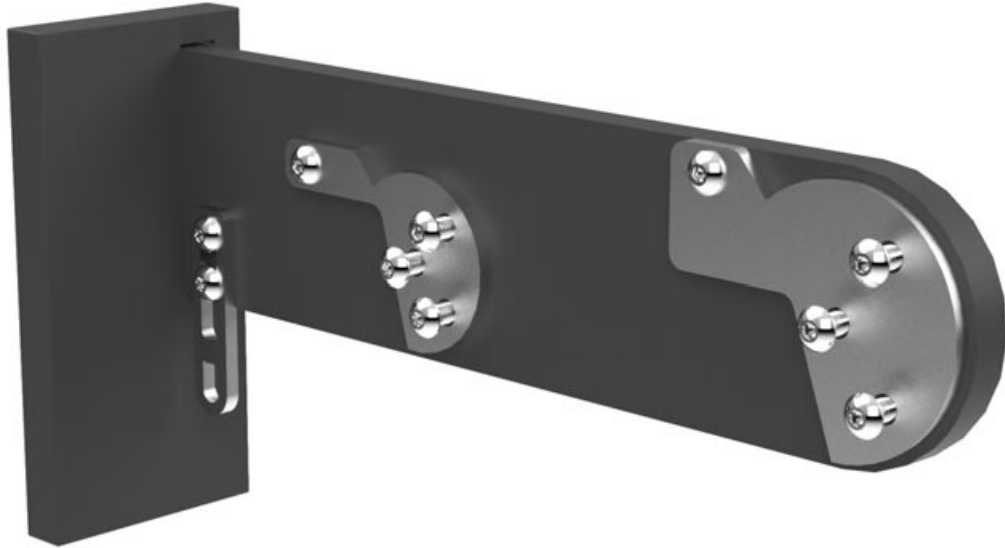
<b>FINISHES</b> Coat Options Matte ☉ Satin ☉ Gloss ☉	<b>Stainless</b> Shades ☉☉☉	Brushed Stainless Cloud • Alabaster • Bone • Barley • Dusk • Ceramic • Cream • Mineral • Dove • Parchment • Oatmeal • Millstone • Stone • Clay • Grey Moss Slate • Cocoa • Moss • Damson • Smoke • Frame Grey • Lead • Earth • Burnt Ash • Flint • Charcoal • Raven
	<b>Metallics</b> ☉☉	Platinum • Champagne • Gold • Cognac • Antique Brass • Gunmetal • Pewter • Bronzed
	<b>Anodic Metals</b>	Twilight • Glow • Sky • Sunrise • Storm • Glimmer • Sunset • Night Sky • Midnight
	<b>Specialist</b>	Can be specified at twice the cost of the standard finish - Brushed Brass Tint • Brushed Bronze Tint • Brushed Carbon Tint
	<b>Custom</b>	Can be specified at twice the cost of the standard finish plus a custom fee - Old Brass • Light Bronze • Bronze Art See page 22 for details

**Front 38mm (1 1/2") - Back 38mm (1 1/2") - LEFT**



**Front 38mm (1 1/2") - Back 38mm (1 1/2") - RIGHT**





Brackets will be supplied with a support clamp, See page 54

### FINISHES

Coat Options

Matte ⊙  
Satin ⊙  
Gloss ⊙

#### Stainless

Shades ⊙⊙⊙

Metallics ⊙⊙

Anodic Metals

Specialist

Custom

Brushed Stainless

Cloud • Alabaster • Bone • Barley • Dusk • Ceramic • Cream • Mineral • Dove • Parchment • Oatmeal • Millstone • Stone • Clay • Grey Moss  
Slate • Cocoa • Moss • Damson • Smoke • Frame Grey • Lead • Earth • Burnt Ash • Flint • Charcoal • Raven

Platinum • Champagne • Gold • Cognac • Antique Brass • Gunmetal • Pewter • Bronzed

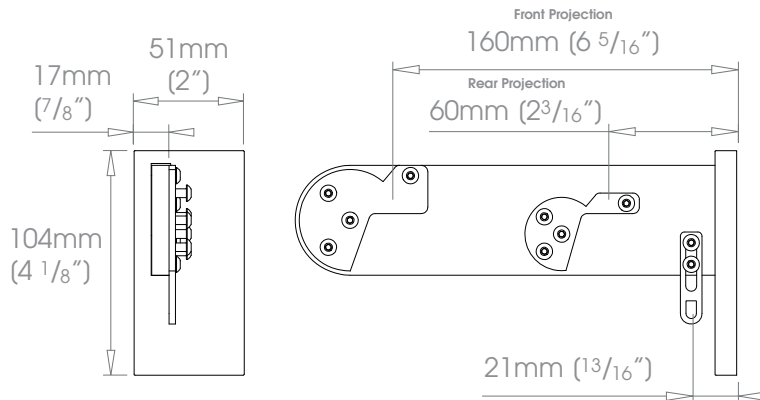
Twilight • Glow • Sky • Sunrise • Storm • Glimmer • Sunset • Night Sky • Midnight

Can be specified at twice the cost of the standard finish - Brushed Brass Tint • Brushed Bronze Tint • Brushed Carbon Tint

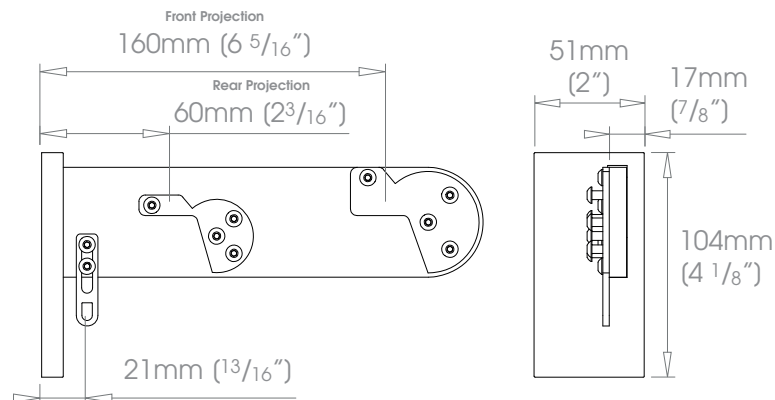
Can be specified at twice the cost of the standard finish plus a custom fee - Old Brass • Light Bronze • Bronze Art

See page 22 for details

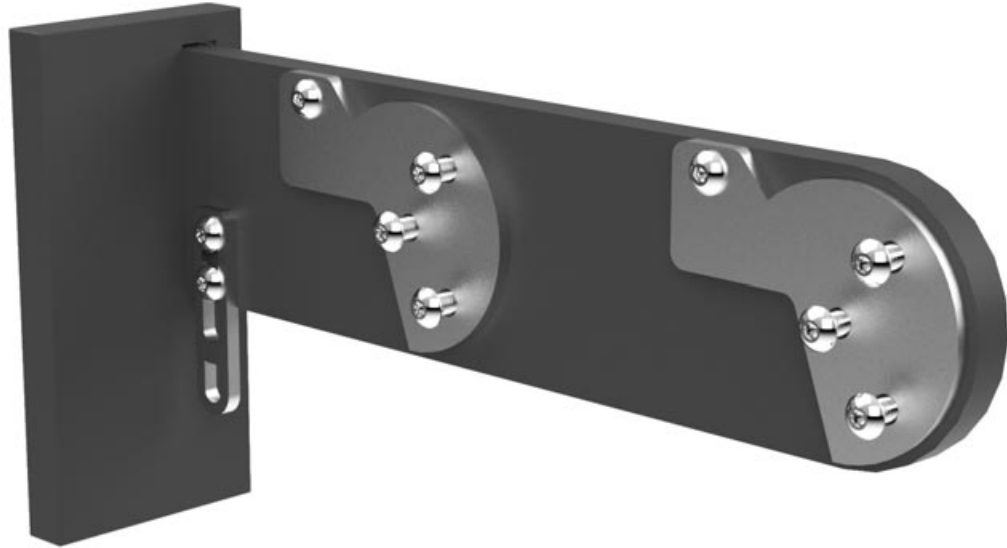
Front 50mm (2") - Back 38mm (1½") - LEFT



Front 50mm (2") - Back 38mm (1½") - RIGHT







Brackets will be supplied with a support clamp, See page 54

### FINISHES

Coat Options  
Matte ☉  
Satin ☉  
Gloss ☉

#### Stainless

Shades ☉☉☉

#### Metallics ☉☉

#### Anodic Metals

#### Specialist

#### Custom

Brushed Stainless

Cloud • Alabaster • Bone • Barley • Dusk • Ceramic • Cream • Mineral • Dove • Parchment • Oatmeal • Millstone • Stone • Clay • Grey Moss  
Slate • Cocoa • Moss • Damson • Smoke • Frame Grey • Lead • Earth • Burnt Ash • Flint • Charcoal • Raven

Platinum • Champagne • Gold • Cognac • Antique Brass • Gunmetal • Pewter • Bronzed

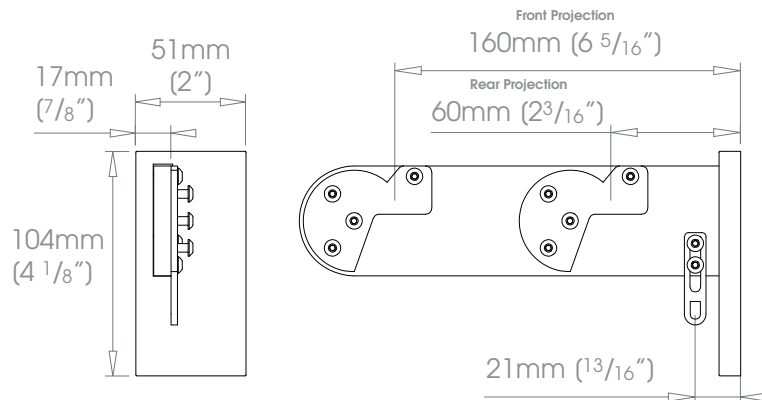
Twilight • Glow • Sky • Sunrise • Storm • Glimmer • Sunset • Night Sky • Midnight

Can be specified at twice the cost of the standard finish - Brushed Brass Tint • Brushed Bronze Tint • Brushed Carbon Tint

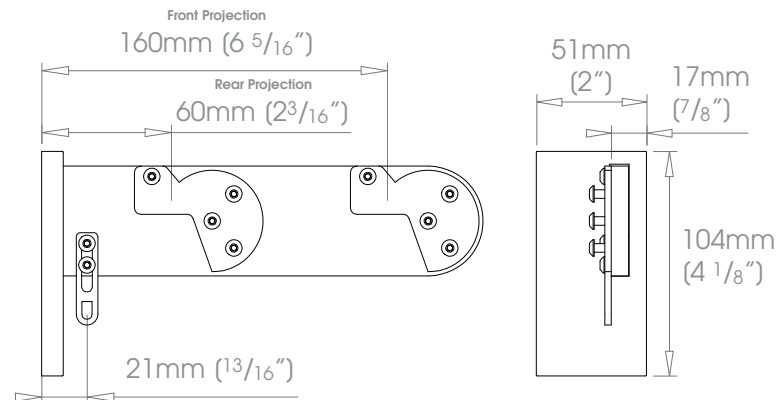
Can be specified at twice the cost of the standard finish plus a custom fee - Old Brass • Light Bronze • Bronze Art

See page 22 for details

### Front 50mm (2") - Back 50mm (2") - LEFT



### Front 50mm (2") - Back 50mm (2") - RIGHT



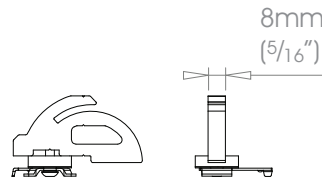
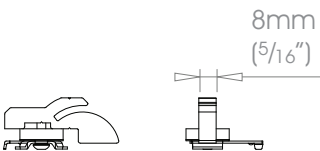


⚠ Support clamps will be supplied with the relevant track fixing, which may differ to those shown in the diagrams

<b>FINISHES</b> Coat Options Matte ⊕ Satin ⊕ Gloss ⊕	<b>Stainless</b>	Brushed Stainless
	<b>Shades</b> ⊕⊕⊕	Cloud • Alabaster • Bone • Barley • Dusk • Ceramic • Cream • Mineral • Dove • Parchment • Oatmeal • Millstone • Stone • Clay • Grey Moss Slate • Cocoa • Moss • Damson • Smoke • Frame Grey • Lead • Earth • Burnt Ash • Flint • Charcoal • Raven
	<b>Metallics</b> ⊕⊕	Platinum • Champagne • Gold • Cognac • Antique Brass • Gunmetal • Pewter • Bronzed
	<b>Anodic Metals</b>	Twilight • Glow • Sky • Sunrise • Storm • Glimmer • Sunset • Night Sky • Midnight
	<b>Specialist</b>	Can be specified at twice the cost of the standard finish - Brushed Brass Tint • Brushed Bronze Tint • Brushed Carbon Tint Can be specified at twice the cost of the standard finish plus a custom fee - Old Brass • Light Bronze • Bronze Art See page 22 for details
	<b>Custom</b>	

38mm (1 1/2")

50mm (2")



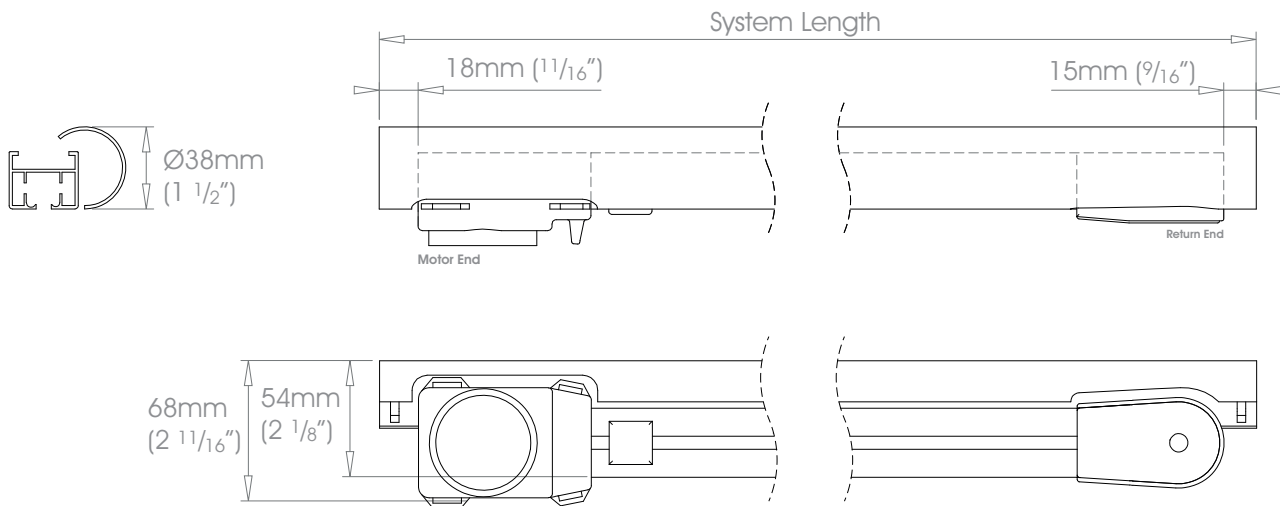




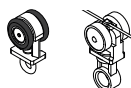
⚠ Track will be finished in a complementary colour to match the cover pole. Please refer to page 18

<b>FINISHES</b> Coat Options Matte Satin Gloss	<b>Stainless</b>	Brushed Stainless
	<b>Shades</b> ☺☺☺	Cloud • Alabaster • Bone • Barley • Dusk • Ceramic • Cream • Mineral • Dove • Parchment • Oatmeal • Millstone • Stone • Clay • Grey Moss Slate • Cocoa • Moss • Damson • Smoke • Frame Grey • Lead • Earth • Burnt Ash • Flint • Charcoal • Raven
	<b>Metallics</b> ☺☺	Platinum • Champagne • Gold • Cognac • Antique Brass • Gunmetal • Pewter • Bronzed
	<b>Anodic Metals</b>	Twilight • Glow • Sky • Sunrise • Storm • Glimmer • Sunset • Night Sky • Midnight
	<b>Specialist</b>	Can be specified at twice the cost of the standard finish - Brushed Brass Tint • Brushed Bronze Tint • Brushed Carbon Tint Can be specified at twice the cost of the standard finish plus a custom fee - Old Brass • Light Bronze • Bronze Art See page 22 for details
	<b>Custom</b>	See page 22 for details

38mm (1 1/2") - Left Hand Motor



Gliding Options Roller • Ripplefold® Roller

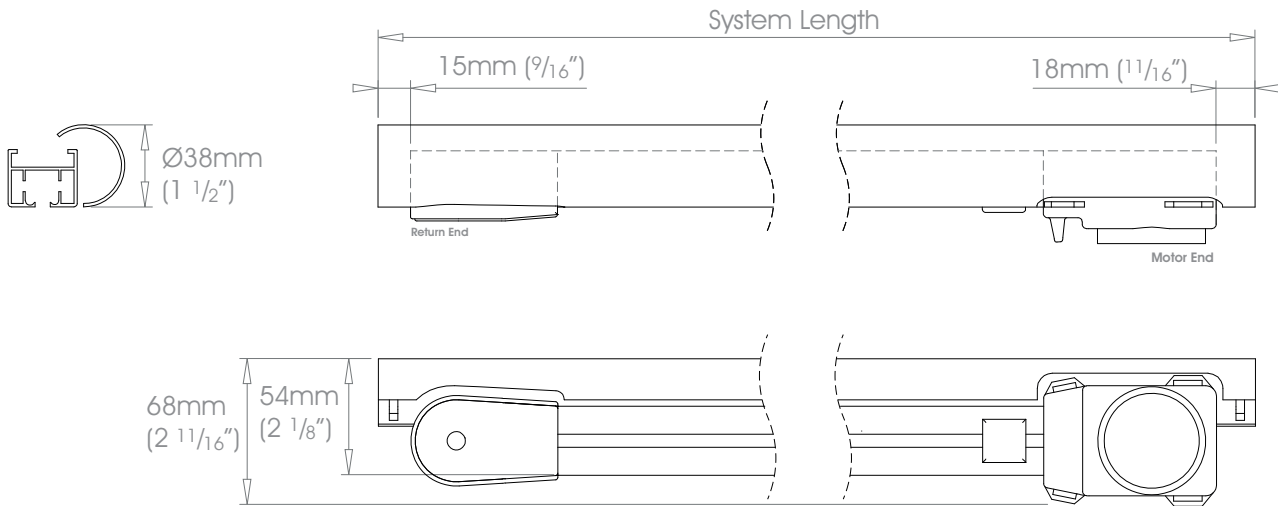




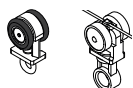
⚠ Track will be finished in a complementary colour to match the cover pole. Please refer to page 18

<b>FINISHES</b> Coat Options Matte Satin Gloss	<b>Stainless</b>	Brushed Stainless
	<b>Shades</b> ☉☉☉	Cloud • Alabaster • Bone • Barley • Dusk • Ceramic • Cream • Mineral • Dove • Parchment • Oatmeal • Millstone • Stone • Clay • Grey Moss Slate • Cocoa • Moss • Damson • Smoke • Frame Grey • Lead • Earth • Burnt Ash • Flint • Charcoal • Raven
	<b>Metallics</b> ☉☉	Platinum • Champagne • Gold • Cognac • Antique Brass • Gunmetal • Pewter • Bronzed
	<b>Anodic Metals</b>	Twilight • Glow • Sky • Sunrise • Storm • Glimmer • Sunset • Night Sky • Midnight
	<b>Specialist</b>	Can be specified at twice the cost of the standard finish - Brushed Brass Tint • Brushed Bronze Tint • Brushed Carbon Tint Can be specified at twice the cost of the standard finish plus a custom fee - Old Brass • Light Bronze • Bronze Art See page 22 for details
	<b>Custom</b>	

38mm (1 1/2") - Right Hand Motor



Gliding Options Roller • Ripplefold® Roller

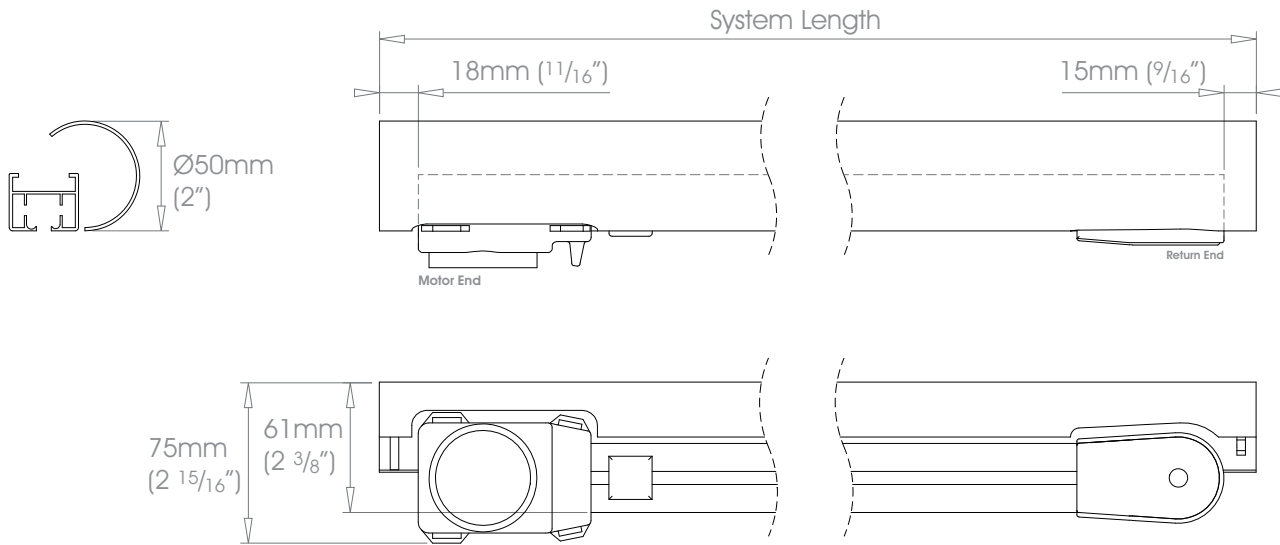




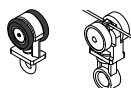
⚠ Track will be finished in a complementary colour to match the cover pole. Please refer to page 18

<b>FINISHES</b> Coat Options Matte ⊕ Satin ⊕ Gloss ⊕	<b>Stainless</b>	Brushed Stainless
	<b>Shades</b> ⊕⊕⊕	Cloud • Alabaster • Bone • Barley • Dusk • Ceramic • Cream • Mineral • Dove • Parchment • Oatmeal • Millstone • Stone • Clay • Grey Moss
	<b>Metallics</b> ⊕⊕	Slate • Cocoa • Moss • Damson • Smoke • Frame Grey • Lead • Earth • Burnt Ash • Flint • Charcoal • Raven
	<b>Anodic Metals</b>	Platinum • Champagne • Gold • Cognac • Antique Brass • Gunmetal • Pewter • Bronzed
	<b>Specialist</b>	Twilight • Glow • Sky • Sunrise • Storm • Glimmer • Sunset • Night Sky • Midnight
<b>Custom</b>	Can be specified at twice the cost of the standard finish plus a custom fee - Old Brass • Light Bronze • Bronze Art See page 22 for details	

50mm (2") - Left Hand Motor



Gliding Options Roller • Ripplefold® Roller

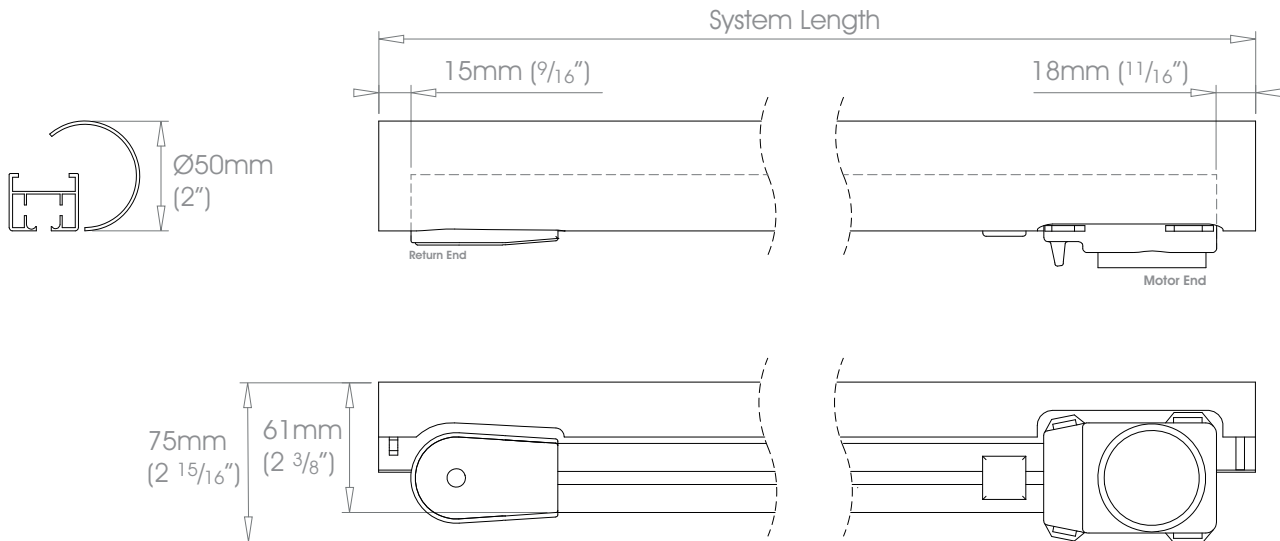




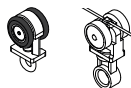
⚠ Track will be finished in a complementary colour to match the cover pole. Please refer to page 18

<b>FINISHES</b> Coat Options Matte ⊕ Satin ⊕ Gloss ⊕	<b>Stainless</b> Shades ⊕⊕⊕	Brushed Stainless Cloud • Alabaster • Bone • Barley • Dusk • Ceramic • Cream • Mineral • Dove • Parchment • Oatmeal • Millstone • Stone • Clay • Grey Moss Slate • Cocoa • Moss • Damson • Smoke • Frame Grey • Lead • Earth • Burnt Ash • Flint • Charcoal • Raven
	<b>Metallics</b> ⊕⊕	Platinum • Champagne • Gold • Cognac • Antique Brass • Gunmetal • Pewter • Bronzed
	<b>Anodic Metals</b>	Twilight • Glow • Sky • Sunrise • Storm • Glimmer • Sunset • Night Sky • Midnight
	<b>Specialist</b>	Can be specified at twice the cost of the standard finish - Brushed Brass Tint • Brushed Bronze Tint • Brushed Carbon Tint
	<b>Custom</b>	Can be specified at twice the cost of the standard finish plus a custom fee - Old Brass • Light Bronze • Bronze Art See page 22 for details

50mm (2") - Right Hand Motor



Gliding Options Roller • Ripplefold® Roller

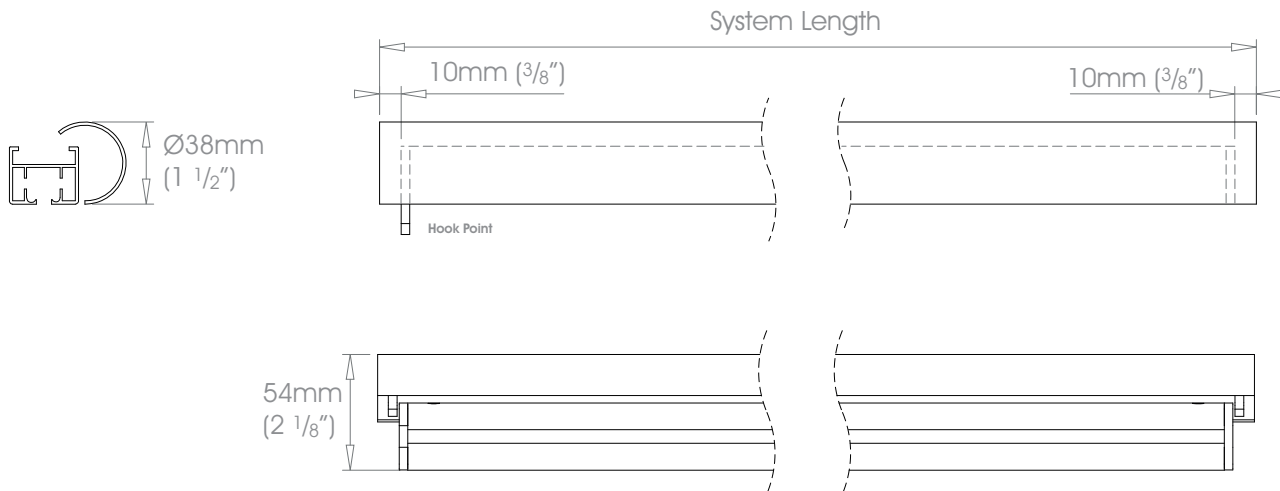




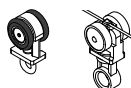
⚠ Track will be finished in a complementary colour to match the cover pole. Please refer to the Specification Guide

<b>FINISHES</b> <small>Coat Options</small> <small>Matte</small> <small>Satin</small> <small>Gloss</small>	<b>Stainless</b>	Brushed Stainless
	<b>Shades</b> ☺☺☺	Cloud • Alabaster • Bone • Barley • Dusk • Ceramic • Cream • Mineral • Dove • Parchment • Oatmeal • Millstone • Stone • Clay • Grey Moss Slate • Cocoa • Moss • Damson • Smoke • Frame Grey • Lead • Earth • Burnt Ash • Flint • Charcoal • Raven
	<b>Metallics</b> ☺☺	Platinum • Champagne • Gold • Cognac • Antique Brass • Gunmetal • Pewter • Bronzed
	<b>Anodic Metals</b>	Twilight • Glow • Sky • Sunrise • Storm • Glimmer • Sunset • Night Sky • Midnight
	<b>Specialist</b>	Can be specified at twice the cost of the standard finish - Brushed Brass Tint • Brushed Bronze Tint • Brushed Carbon Tint Can be specified at twice the cost of the standard finish plus a custom fee - Old Brass • Light Bronze • Bronze Art See page 22 for details
<b>Custom</b>		

### 38mm (1 1/2") - Single Stack →



Gliding Options Roller • Ripplefold® Roller







Track will be finished in a complementary colour to match the cover pole. Please refer to page 18

### FINISHES

Coat Options  
Matte ⊙  
Satin ⊙  
Gloss ⊙

#### Stainless

#### Shades ⊙⊙⊙

Brushed Stainless

Cloud • Alabaster • Bone • Barley • Dusk • Ceramic • Cream • Mineral • Dove • Parchment • Oatmeal • Millstone • Stone • Clay • Grey Moss  
Slate • Cocoa • Moss • Damson • Smoke • Frame Grey • Lead • Earth • Burnt Ash • Flint • Charcoal • Raven

#### Metallics ⊙⊙

Platinum • Champagne • Gold • Cognac • Antique Brass • Gunmetal • Pewter • Bronzed

#### Anodic Metals

Twilight • Glow • Sky • Sunrise • Storm • Glimmer • Sunset • Night Sky • Midnight

#### Specialist

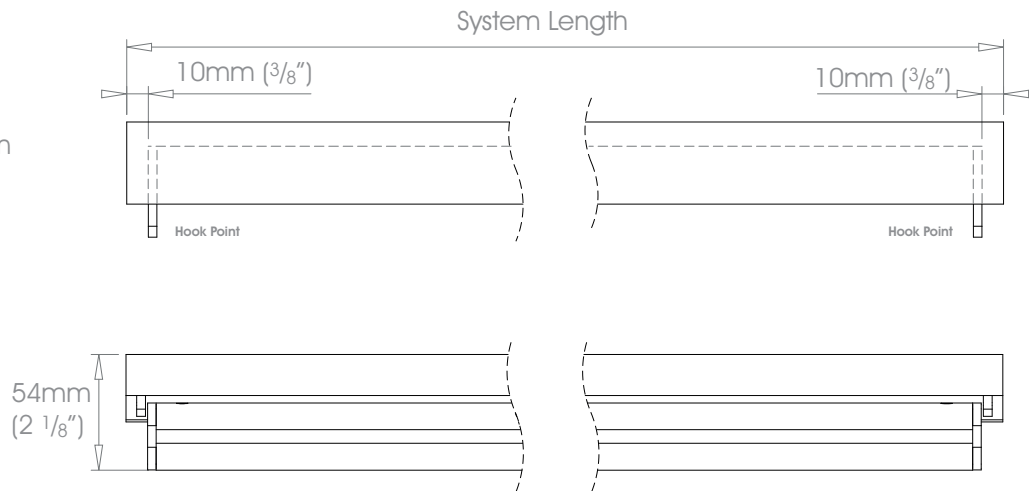
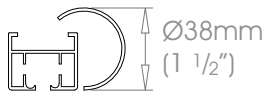
Can be specified at twice the cost of the standard finish - Brushed Brass Tint • Brushed Bronze Tint • Brushed Carbon Tint

Can be specified at twice the cost of the standard finish plus a custom fee - Old Brass • Light Bronze • Bronze Art

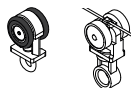
#### Custom

See page 22 for details

### 38mm (1 1/2") - Pair Stack →←



Gliding Options Roller • Ripplefold® Roller

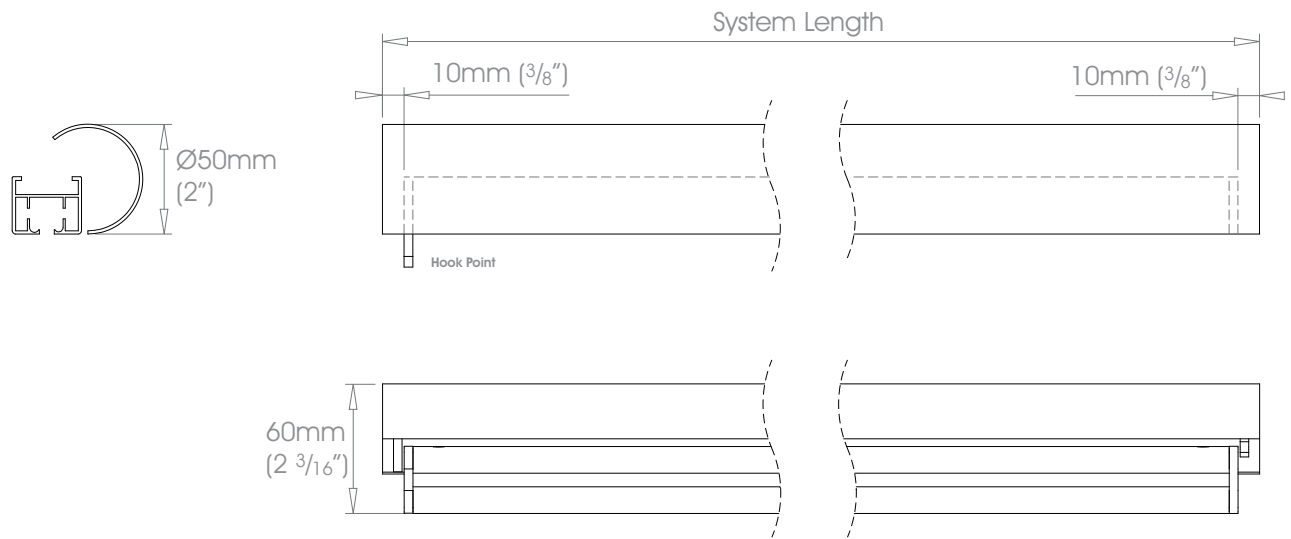




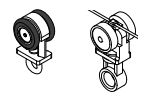
ⓘ Track will be finished in a complementary colour to match the cover pole. Please refer to page 18

<b>FINISHES</b> Coat Options Matte Satin Gloss	<b>Stainless</b> Shaded	Brushed Stainless Cloud • Alabaster • Bone • Barley • Dusk • Ceramic • Cream • Mineral • Dove • Parchment • Oatmeal • Millstone • Stone • Clay • Grey Moss Slate • Cocoa • Moss • Damson • Smoke • Frame Grey • Lead • Earth • Burnt Ash • Flint • Charcoal • Raven
	<b>Metallics</b> Anodic Metals	Platinum • Champagne • Gold • Cognac • Antique Brass • Gunmetal • Pewter • Bronzed Twilight • Glow • Sky • Sunrise • Storm • Glimmer • Sunset • Night Sky • Midnight
	<b>Specialist</b> Custom	Can be specified at twice the cost of the standard finish - Brushed Brass Tint • Brushed Bronze Tint • Brushed Carbon Tint Can be specified at twice the cost of the standard finish plus a custom fee - Old Brass • Light Bronze • Bronze Art See page 22 for details

50mm (2") - Single Stack →



Gliding Options Roller • Ripplefold® Roller

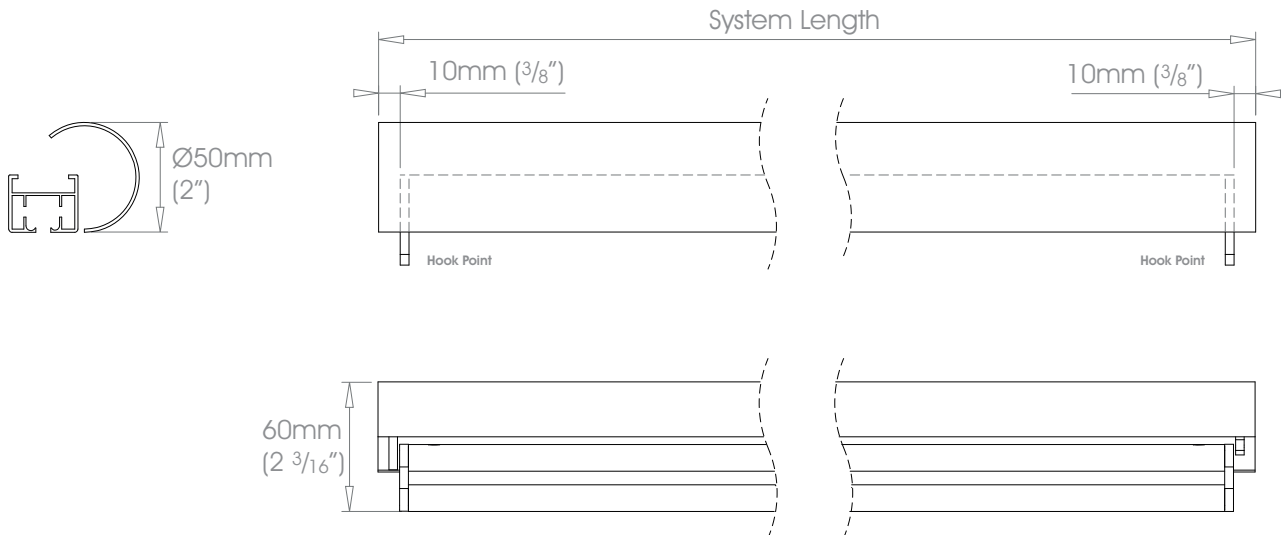




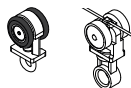
⚠ Track will be finished in a complementary colour to match the cover pole. Please refer to page 18

<b>FINISHES</b> Coat Options Matte ⊕ Satin ⊕ Gloss ⊕	<b>Stainless</b> Shadedes ⊕⊕⊕	Brushed Stainless Cloud • Alabaster • Bone • Barley • Dusk • Ceramic • Cream • Mineral • Dove • Parchment • Oatmeal • Millstone • Stone • Clay • Grey Moss Slate • Cocoa • Moss • Damson • Smoke • Frame Grey • Lead • Earth • Burnt Ash • Flint • Charcoal • Raven
	<b>Metallics</b> ⊕⊕	Platinum • Champagne • Gold • Cognac • Antique Brass • Gunmetal • Pewter • Bronzed
	<b>Anodic Metals</b>	Twilight • Glow • Sky • Sunrise • Storm • Glimmer • Sunset • Night Sky • Midnight
	<b>Specialist</b>	Can be specified at twice the cost of the standard finish - Brushed Brass Tint • Brushed Bronze Tint • Brushed Carbon Tint
	<b>Custom</b>	Can be specified at twice the cost of the standard finish plus a custom fee - Old Brass • Light Bronze • Bronze Art See page 22 for details

50mm (2") - Pair Stack →←



Gliding Options Roller • Ripplefold® Roller

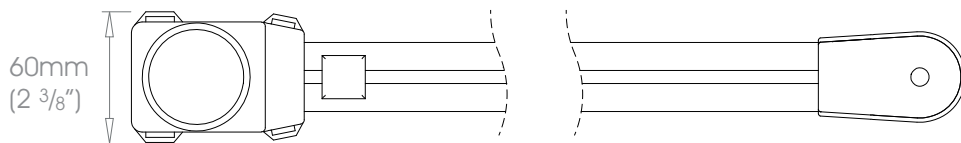
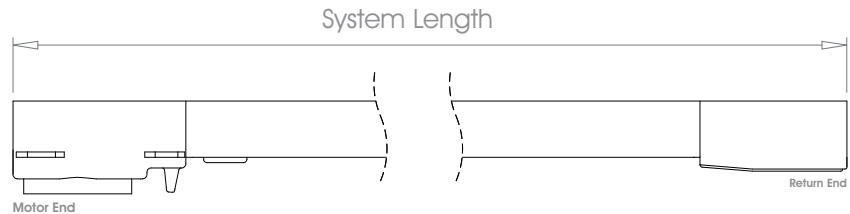
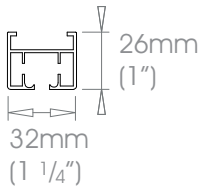




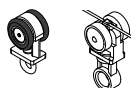
**!** ONLY FOR USE AS REAR TRACK OPTION ON DOUBLE SYSTEMS. (EXCLUDING EDGE)  
 Track will be finished in a complementary colour to match the cover pole. Please refer to page 18

- FINISHES** Shades ☉☉☉ Cloud • Alabaster • Bone • Barley • Dusk • Ceramic • Cream • Mineral • Dove • Parchment • Oatmeal • Millstone • Stone • Clay • Grey Moss  
 Slate • Cocoa • Moss • Damson • Smoke • Frame Grey • Lead • Earth • Burnt Ash • Flint • Charcoal • Raven  
 Coat Options **Metallics** ☉☉ Platinum • Champagne • Gold • Cognac • Antique Brass • Gunmetal • Pewter • Bronzed  
**Anodic Metals** Twilight • Glow • Sky • Sunrise • Storm • Glimmer • Sunset • Night Sky • Midnight  
**Specialist** Can be specified at twice the cost of the standard finish plus a custom fee - Old Brass • Light Bronze • Bronze Art  
**Custom** See page 22 for details  
 Matte ☉  
 Satin ☉  
 Gloss ☉

## Left Hand Motor



Gliding Options Roller • Ripplefold® Roller

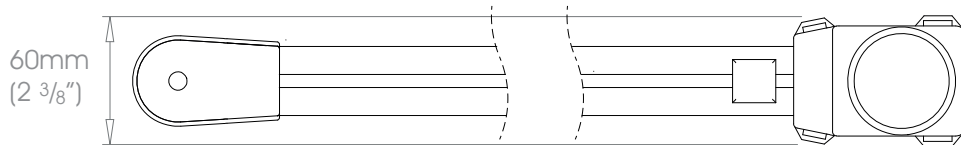
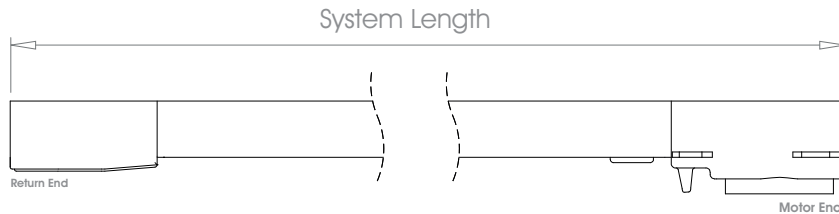
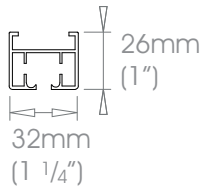




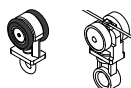
**!** ONLY FOR USE AS REAR TRACK OPTION ON DOUBLE SYSTEMS. (EXCLUDING EDGE)  
 Track will be finished in a complementary colour to match the cover pole. Please refer to page 18

- FINISHES** Shades @@@ Cloud • Alabaster • Bone • Barley • Dusk • Ceramic • Cream • Mineral • Dove • Parchment • Oatmeal • Millstone • Stone • Clay • Grey Moss  
 Slate • Cocoa • Moss • Damson • Smoke • Frame Grey • Lead • Earth • Burnt Ash • Flint • Charcoal • Raven  
 Coat Options **Metallics** @@ Platinum • Champagne • Gold • Cognac • Antique Brass • Gunmetal • Pewter • Bronzed  
**Anodic Metals** Twilight • Glow • Sky • Sunrise • Storm • Glimmer • Sunset • Night Sky • Midnight  
**Specialist** Can be specified at twice the cost of the standard finish plus a custom fee - Old Brass • Light Bronze • Bronze Art  
**Custom** See page 22 for details  
 Matte @  
 Satin @  
 Gloss @

**Right Hand Motor**



Gliding Options Roller • Ripplefold® Roller

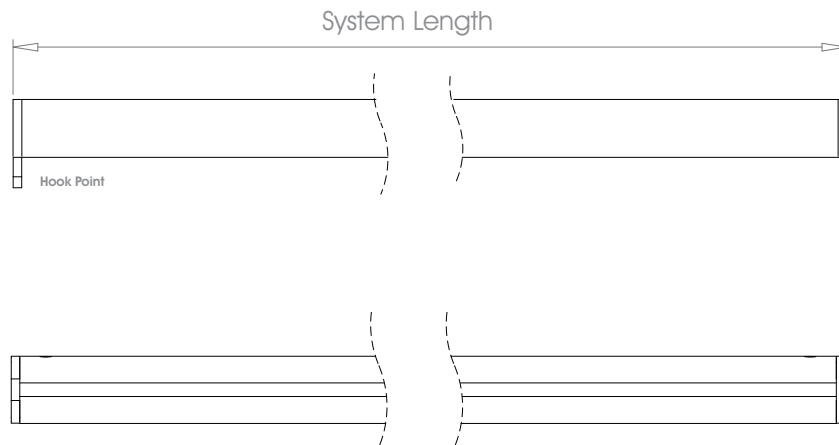
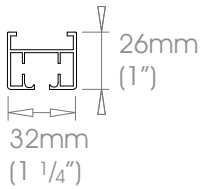




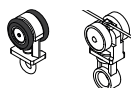
**!** **ONLY FOR USE AS REAR TRACK OPTION ON DOUBLE SYSTEMS. (EXCLUDING EDGE)**  
 Track will be finished in a complementary colour to match the cover pole. Please refer to page 18

**FINISHES** Shades @@@ Cloud • Alabaster • Bone • Barley • Dusk • Ceramic • Cream • Mineral • Dove • Parchment • Oatmeal • Millstone • Stone • Clay • Grey Moss  
 Slate • Cocoa • Moss • Damson • Smoke • Frame Grey • Lead • Earth • Burnt Ash • Flint • Charcoal • Raven  
 Coat Options **Metallics** @@ Platinum • Champagne • Gold • Cognac • Antique Brass • Gunmetal • Pewter • Bronzed  
**Anodic Metals** @ Twilight • Glow • Sky • Sunrise • Storm • Glimmer • Sunset • Night Sky • Midnight  
**Specialist** Can be specified at twice the cost of the standard finish plus a custom fee - Old Brass • Light Bronze • Bronze Art  
**Custom** See page 22 for details  
 Matte @  
 Satin @  
 Gloss @

### Single Stack →



Gliding Options Roller • Ripplefold® Roller

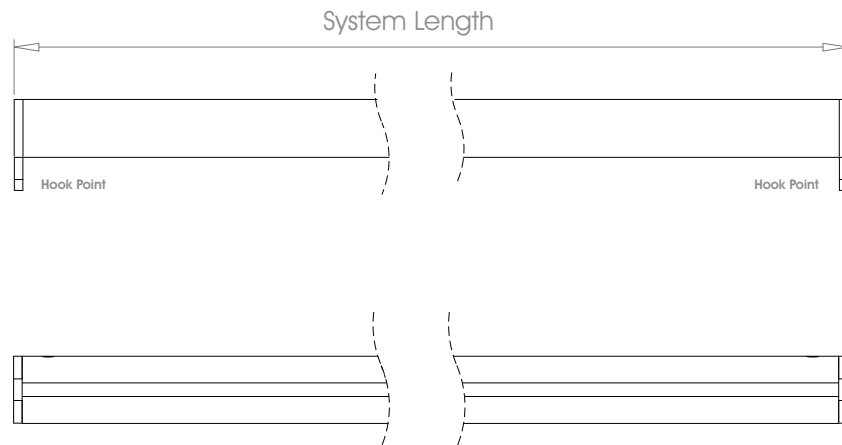
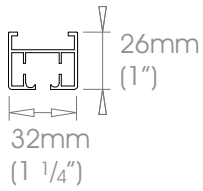




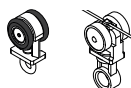
**!** **ONLY FOR USE AS REAR TRACK OPTION ON DOUBLE SYSTEMS. (EXCLUDING EDGE)**  
 Track will be finished in a complementary colour to match the cover pole. Please refer to page 18

- FINISHES** Shades @@@ Cloud • Alabaster • Bone • Barley • Dusk • Ceramic • Cream • Mineral • Dove • Parchment • Oatmeal • Millstone • Stone • Clay • Grey Moss  
 Slate • Cocoa • Moss • Damson • Smoke • Frame Grey • Lead • Earth • Burnt Ash • Flint • Charcoal • Raven  
 Coat Options **Metallics** @@ Platinum • Champagne • Gold • Cognac • Antique Brass • Gunmetal • Pewter • Bronzed  
**Anodic Metals** Twilight • Glow • Sky • Sunrise • Storm • Glimmer • Sunset • Night Sky • Midnight  
**Specialist** Can be specified at twice the cost of the standard finish plus a custom fee - Old Brass • Light Bronze • Bronze Art  
**Custom** See page 22 for details  
 Matte @  
 Satin @  
 Gloss @

**Pair Stack →←**



**Gliding Options** Roller • Ripplefold® Roller





Track will be finished in a complementary colour to match the cover pole. Please refer to page 18

### FINISHES

#### Coat Options

Matte ⊙  
Satin ⊙  
Gloss ⊙

#### Stainless

#### Shades ⊙⊙⊙

#### Metallics ⊙⊙

#### Anodic Metals

#### Specialist

#### Custom

Brushed Stainless

Cloud • Alabaster • Bone • Barley • Dusk • Ceramic • Cream • Mineral • Dove • Parchment • Oatmeal • Millstone • Stone • Clay • Grey Moss  
Slate • Cocoa • Moss • Damson • Smoke • Frame Grey • Lead • Earth • Burnt Ash • Flint • Charcoal • Raven

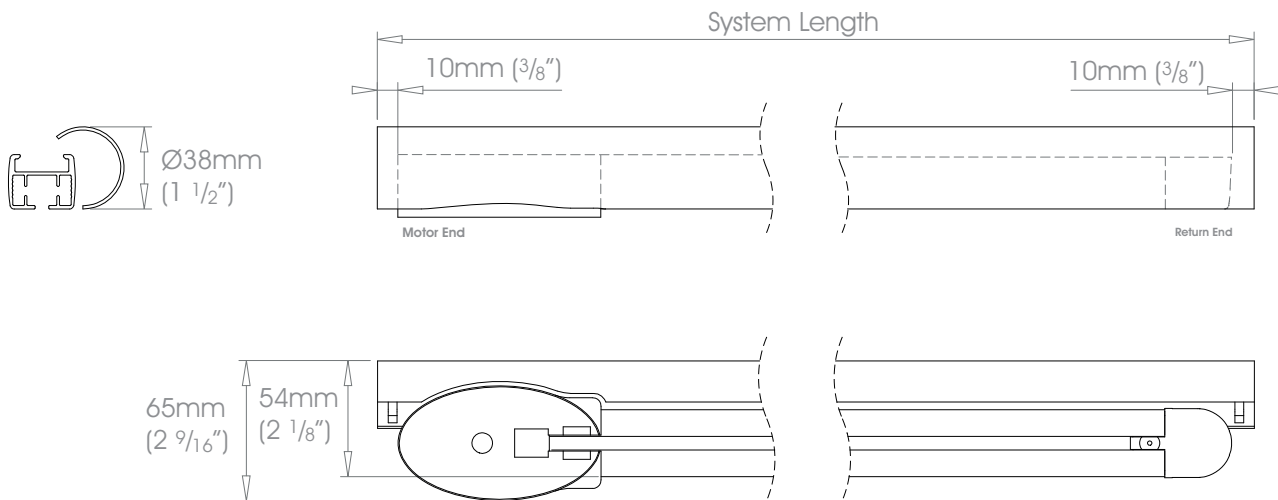
Platinum • Champagne • Gold • Cognac • Antique Brass • Gunmetal • Pewter • Bronzed

Twilight • Glow • Sky • Sunrise • Storm • Glimmer • Sunset • Night Sky • Midnight

Can be specified at twice the cost of the standard finish - Brushed Brass Tint • Brushed Bronze Tint • Brushed Carbon Tint

Can be specified at twice the cost of the standard finish plus a custom fee - Old Brass • Light Bronze • Bronze Art  
See page 22 for details

### 38mm (1 1/2") - Left Hand Motor



Gliding Options Roller • Ripple Roller • Ripplefold® Roller







Track will be finished in a complementary colour to match the cover pole. Please refer to page 18

### FINISHES

#### Coat Options

Matte ⊙  
Satin ⊙  
Gloss ⊙

#### Stainless

#### Shades ⊙⊙⊙

#### Metallics ⊙⊙

#### Anodic Metals

#### Specialist

#### Custom

Brushed Stainless

Cloud • Alabaster • Bone • Barley • Dusk • Ceramic • Cream • Mineral • Dove • Parchment • Oatmeal • Millstone • Stone • Clay • Grey Moss  
Slate • Cocoa • Moss • Damson • Smoke • Frame Grey • Lead • Earth • Burnt Ash • Flint • Charcoal • Raven

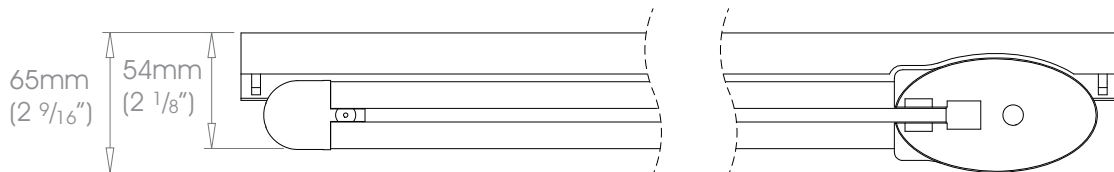
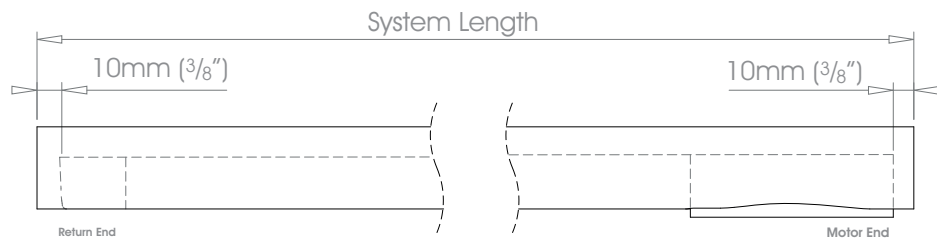
Platinum • Champagne • Gold • Cognac • Antique Brass • Gunmetal • Pewter • Bronzed

Twilight • Glow • Sky • Sunrise • Storm • Glimmer • Sunset • Night Sky • Midnight

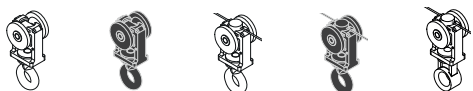
Can be specified at twice the cost of the standard finish - Brushed Brass Tint • Brushed Bronze Tint • Brushed Carbon Tint

Can be specified at twice the cost of the standard finish plus a custom fee - Old Brass • Light Bronze • Bronze Art  
See page 22 for details

### 38mm (1 1/2") - Right Hand Motor



Gliding Options Roller • Ripple Roller • Ripplefold® Roller

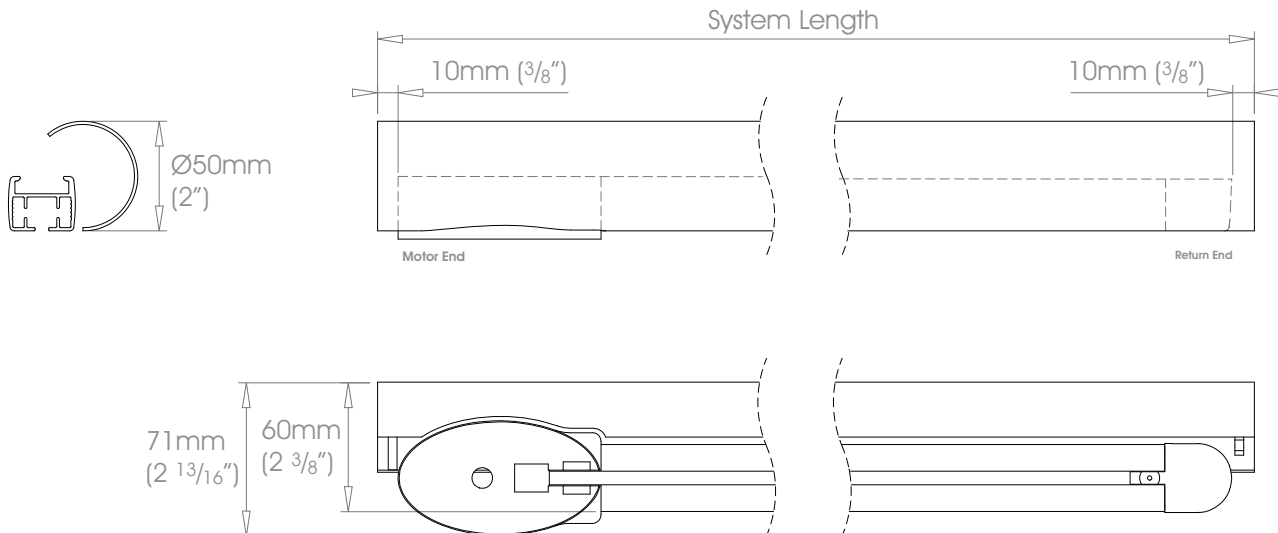




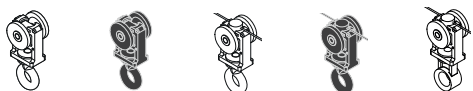
⚠ Track will be finished in a complementary colour to match the cover pole. Please refer to page 18

<b>FINISHES</b> Coat Options Matte ⊕ Satin ⊕ Gloss ⊕	<b>Stainless</b> Shaded ⊕⊕⊕	Brushed Stainless Cloud • Alabaster • Bone • Barley • Dusk • Ceramic • Cream • Mineral • Dove • Parchment • Oatmeal • Millstone • Stone • Clay • Grey Moss Slate • Cocoa • Moss • Damson • Smoke • Frame Grey • Lead • Earth • Burnt Ash • Flint • Charcoal • Raven
	<b>Metallics</b> ⊕⊕	Platinum • Champagne • Gold • Cognac • Antique Brass • Gunmetal • Pewter • Bronzed
	<b>Anodic Metals</b>	Twilight • Glow • Sky • Sunrise • Storm • Glimmer • Sunset • Night Sky • Midnight
	<b>Specialist</b>	Can be specified at twice the cost of the standard finish - Brushed Brass Tint • Brushed Bronze Tint • Brushed Carbon Tint
	<b>Custom</b>	Can be specified at twice the cost of the standard finish plus a custom fee - Old Brass • Light Bronze • Bronze Art See page 22 for details

50mm (2") - Left Hand Motor



Gliding Options Roller • Ripple Roller • Ripplefold® Roller

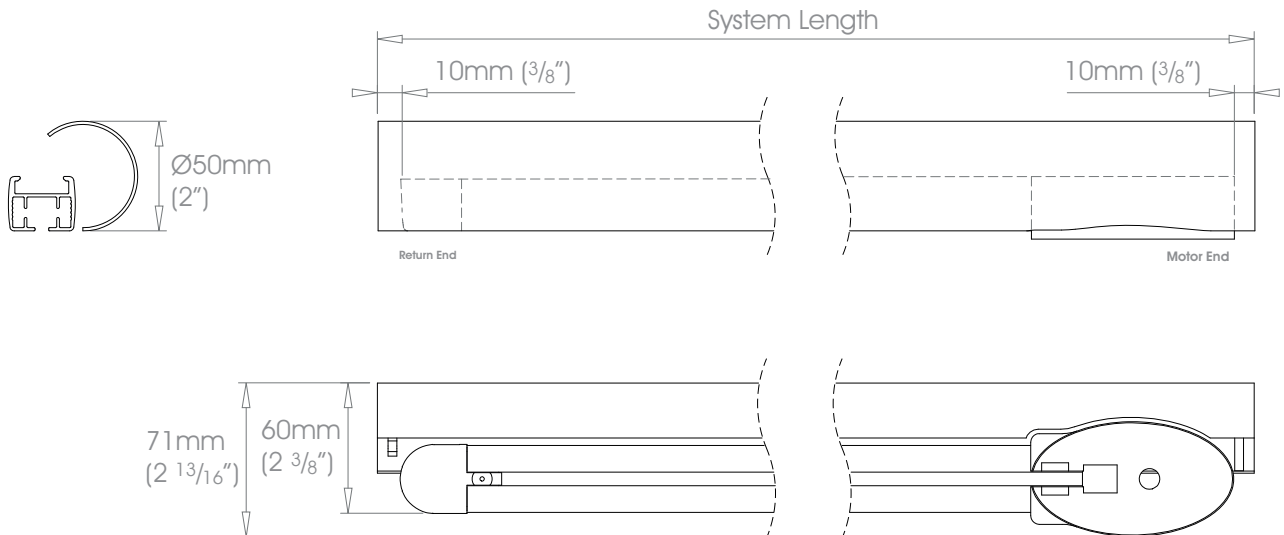




⚠ Track will be finished in a complementary colour to match the cover pole. Please refer to page 18

<b>FINISHES</b> Coat Options Matte ⊕ Satin ⊕ Gloss ⊕	<b>Stainless</b> Brushed Stainless	Cloud • Alabaster • Bone • Barley • Dusk • Ceramic • Cream • Mineral • Dove • Parchment • Oatmeal • Millstone • Stone • Clay • Grey Moss
	<b>Shades</b> ⊕⊕⊕	Slate • Cocoa • Moss • Damson • Smoke • Frame Grey • Lead • Earth • Burnt Ash • Flint • Charcoal • Raven
	<b>Metallics</b> ⊕⊕	Platinum • Champagne • Gold • Cognac • Antique Brass • Gunmetal • Pewter • Bronzed
	<b>Anodic Metals</b>	Twilight • Glow • Sky • Sunrise • Storm • Glimmer • Sunset • Night Sky • Midnight
	<b>Specialist</b>	Can be specified at twice the cost of the standard finish - Brushed Brass Tint • Brushed Bronze Tint • Brushed Carbon Tint Can be specified at twice the cost of the standard finish plus a custom fee - Old Brass • Light Bronze • Bronze Art See page 22 for details
<b>Custom</b>	See page 22 for details	

50mm (2") - Right Hand Motor



Gliding Options Roller • Ripple Roller • Ripplefold® Roller





Track will be finished in a complementary colour to match the cover pole. Please refer to page 18

### FINISHES

#### Coat Options

Matte ⊕  
Satin ⊕  
Gloss ⊕

#### Stainless

#### Shades ⊕⊕⊕

#### Metallics ⊕⊕

#### Anodic Metals

#### Specialist

#### Custom

Brushed Stainless

Cloud • Alabaster • Bone • Barley • Dusk • Ceramic • Cream • Mineral • Dove • Parchment • Oatmeal • Millstone • Stone • Clay • Grey Moss  
Slate • Cocoa • Moss • Damson • Smoke • Frame Grey • Lead • Earth • Burnt Ash • Flint • Charcoal • Raven

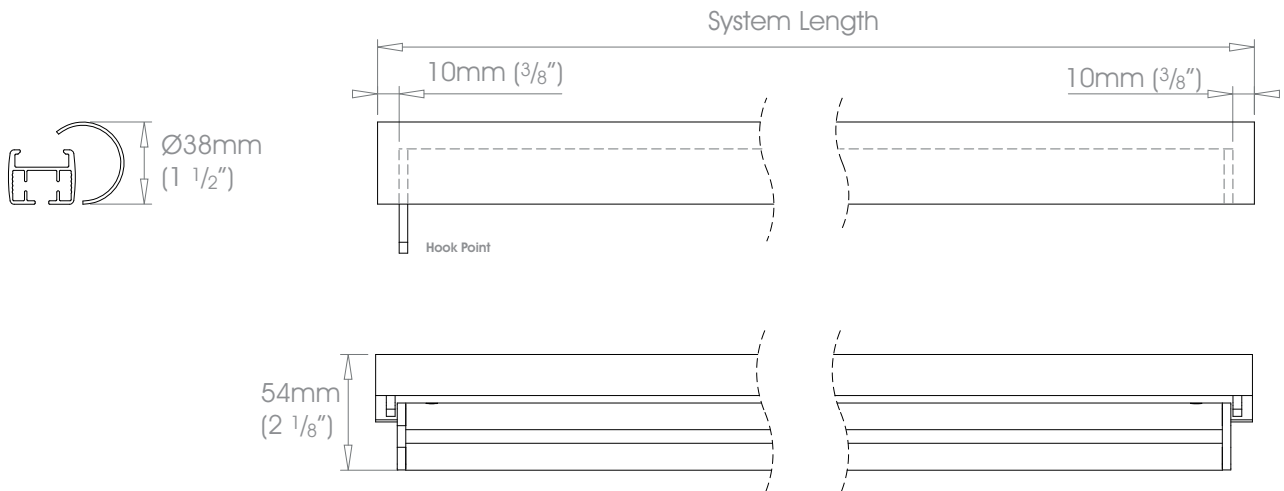
Platinum • Champagne • Gold • Cognac • Antique Brass • Gunmetal • Pewter • Bronzed

Twilight • Glow • Sky • Sunrise • Storm • Glimmer • Sunset • Night Sky • Midnight

Can be specified at twice the cost of the standard finish - Brushed Brass Tint • Brushed Bronze Tint • Brushed Carbon Tint

Can be specified at twice the cost of the standard finish plus a custom fee - Old Brass • Light Bronze • Bronze Art  
See page 22 for details

### 38mm (1 1/2") - Single Stack →



Gliding Options Roller • Ripple Roller • Ripplefold® Roller

**somfy**





Track will be finished in a complementary colour to match the cover pole. Please refer to page 18

### FINISHES

#### Coat Options

Matte ⊕  
Satin ⊕  
Gloss ⊕

#### Stainless

#### Shades ⊕⊕⊕

#### Metallics ⊕⊕

#### Anodic Metals

#### Specialist

#### Custom

Brushed Stainless

Cloud • Alabaster • Bone • Barley • Dusk • Ceramic • Cream • Mineral • Dove • Parchment • Oatmeal • Millstone • Stone • Clay • Grey Moss  
Slate • Cocoa • Moss • Damson • Smoke • Frame Grey • Lead • Earth • Burnt Ash • Flint • Charcoal • Raven

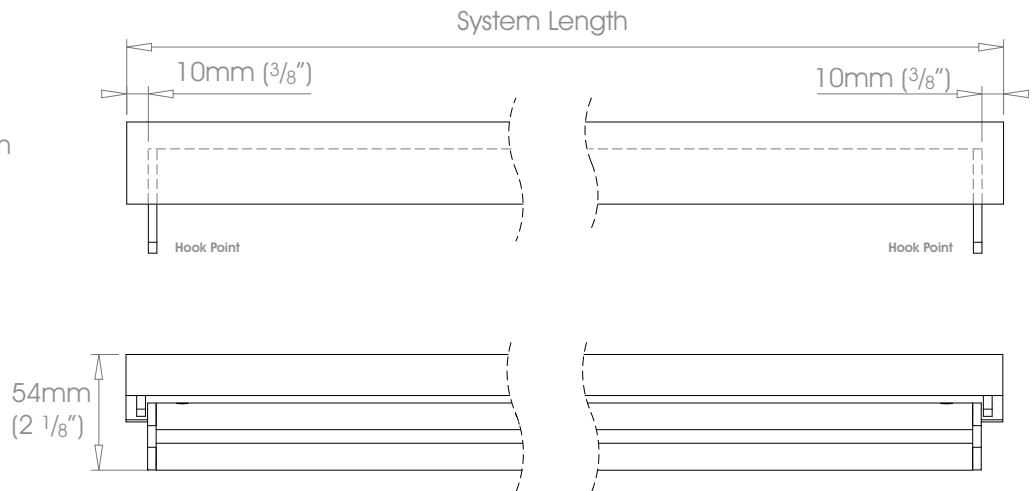
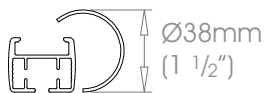
Platinum • Champagne • Gold • Cognac • Antique Brass • Gunmetal • Pewter • Bronzed

Twilight • Glow • Sky • Sunrise • Storm • Glimmer • Sunset • Night Sky • Midnight

Can be specified at twice the cost of the standard finish - Brushed Brass Tint • Brushed Bronze Tint • Brushed Carbon Tint

Can be specified at twice the cost of the standard finish plus a custom fee - Old Brass • Light Bronze • Bronze Art  
See page 22 for details

### 38mm (1 1/2") - Pair Stack →←



Gliding Options Roller • Ripple Roller • Ripplefold® Roller

**somfy**

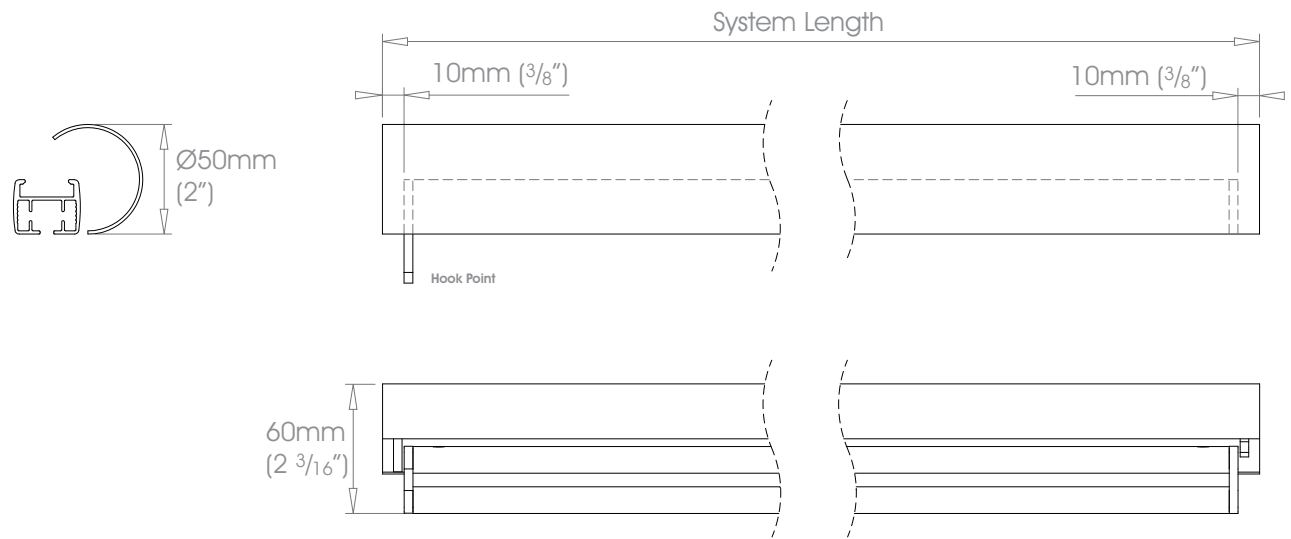




⚠ Track will be finished in a complementary colour to match the cover pole. Please refer to page 18

<b>FINISHES</b> Coat Options Matte ⊕ Satin ⊕ Gloss ⊕	<b>Stainless</b> Shadedes ⊕⊕⊕	Brushed Stainless Cloud • Alabaster • Bone • Barley • Dusk • Ceramic • Cream • Mineral • Dove • Parchment • Oatmeal • Millstone • Stone • Clay • Grey Moss Slate • Cocoa • Moss • Damson • Smoke • Frame Grey • Lead • Earth • Burnt Ash • Flint • Charcoal • Raven
	<b>Metallics</b> ⊕⊕	Platinum • Champagne • Gold • Cognac • Antique Brass • Gunmetal • Pewter • Bronzed
	<b>Anodic Metals</b>	Twilight • Glow • Sky • Sunrise • Storm • Glimmer • Sunset • Night Sky • Midnight
	<b>Specialist</b>	Can be specified at twice the cost of the standard finish - Brushed Brass Tint • Brushed Bronze Tint • Brushed Carbon Tint
	<b>Custom</b>	Can be specified at twice the cost of the standard finish plus a custom fee - Old Brass • Light Bronze • Bronze Art See page 22 for details

50mm (2") - Single Stack →



Gliding Options Roller • Ripple Roller • Ripplefold® Roller

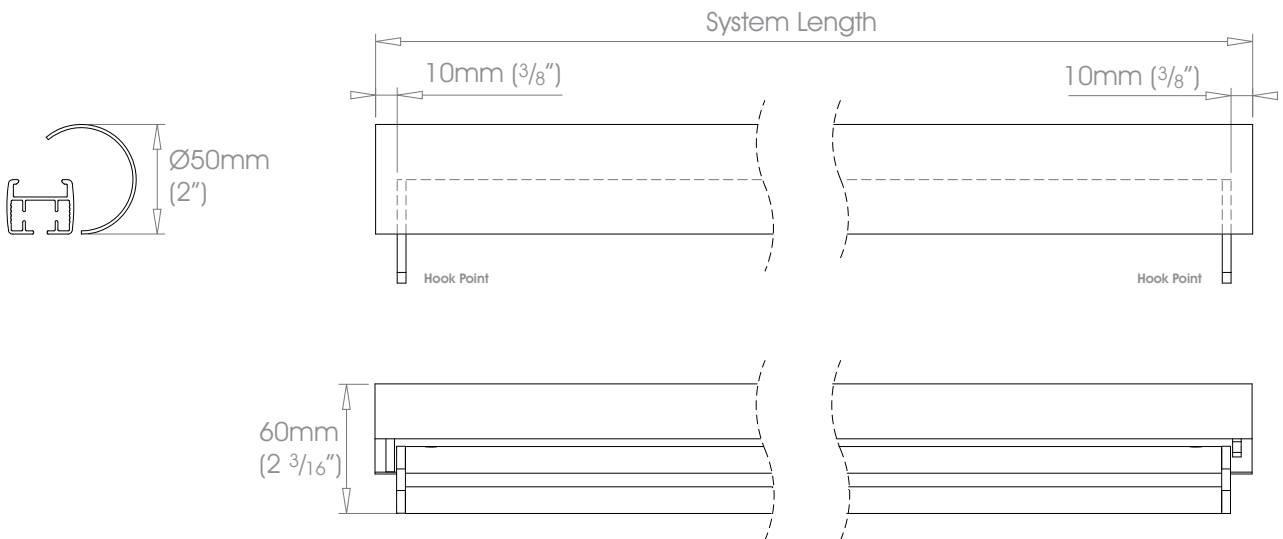




⚠ Track will be finished in a complementary colour to match the cover pole. Please refer to page 18

<b>FINISHES</b> Coat Options Matte ⊕ Satin ⊕ Gloss ⊕	<b>Stainless</b> Shadedes ⊕⊕⊕	Brushed Stainless Cloud • Alabaster • Bone • Barley • Dusk • Ceramic • Cream • Mineral • Dove • Parchment • Oatmeal • Millstone • Stone • Clay • Grey Moss Slate • Cocoa • Moss • Damson • Smoke • Frame Grey • Lead • Earth • Burnt Ash • Flint • Charcoal • Raven
	<b>Metallics</b> ⊕⊕	Platinum • Champagne • Gold • Cognac • Antique Brass • Gunmetal • Pewter • Bronzed
	<b>Anodic Metals</b>	Twilight • Glow • Sky • Sunrise • Storm • Glimmer • Sunset • Night Sky • Midnight
	<b>Specialist</b>	Can be specified at twice the cost of the standard finish - Brushed Brass Tint • Brushed Bronze Tint • Brushed Carbon Tint
	<b>Custom</b>	Can be specified at twice the cost of the standard finish plus a custom fee - Old Brass • Light Bronze • Bronze Art See page 22 for details

50mm (2") - Pair Stack →←



Gliding Options Roller • Ripple Roller • Ripplefold® Roller

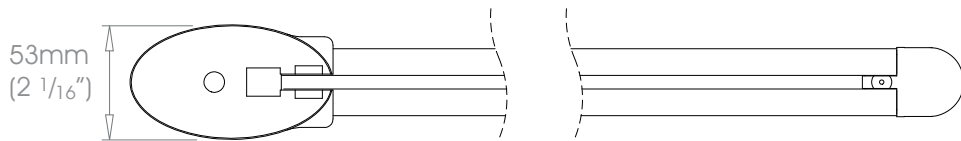
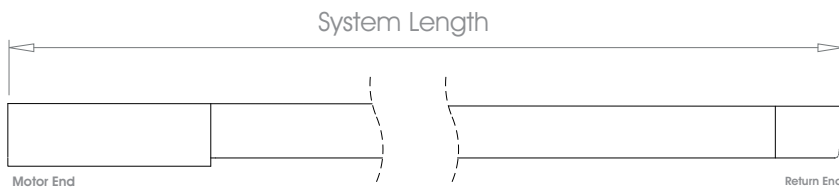
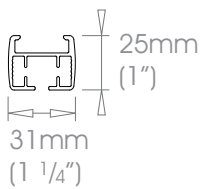




⚠ **ONLY FOR USE AS REAR TRACK OPTION ON DOUBLE SYSTEMS. (EXCLUDING EDGE)**  
 Track will be finished in a complementary colour to match the cover pole. Please refer to page 18

- FINISHES** Shades ☉☉☉ Cloud • Alabaster • Bone • Barley • Dusk • Ceramic • Cream • Mineral • Dove • Parchment • Oatmeal • Millstone • Stone • Clay • Grey Moss  
 Slate • Cocoa • Moss • Damson • Smoke • Frame Grey • Lead • Earth • Burnt Ash • Flint • Charcoal • Raven  
 Coat Options **Metallics** ☉☉ Platinum • Champagne • Gold • Cognac • Antique Brass • Gunmetal • Pewter • Bronzed  
**Anodic Metals** Twilight • Glow • Sky • Sunrise • Storm • Glimmer • Sunset • Night Sky • Midnight  
**Specialist** Can be specified at twice the cost of the standard finish plus a custom fee - Old Brass • Light Bronze • Bronze Art  
**Custom** See page 22 for details  
 Matte ☉  
 Satin ☉  
 Gloss ☉

Left Hand Motor



Gliding Options Roller • Ripple Roller • Ripplefold® Roller



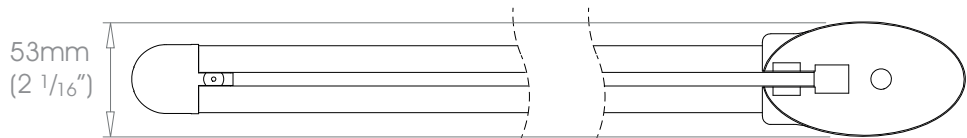
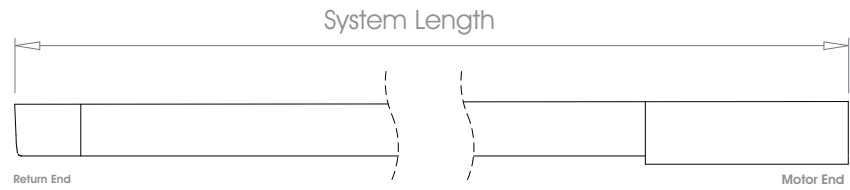
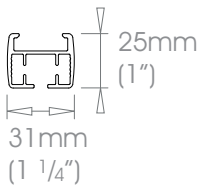




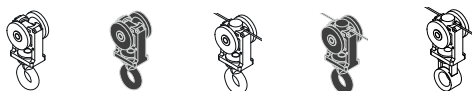
⚠ **ONLY FOR USE AS REAR TRACK OPTION ON DOUBLE SYSTEMS. (EXCLUDING EDGE)**  
 Track will be finished in a complementary colour to match the cover pole. Please refer to page 18

- FINISHES** Shades @@@ Cloud • Alabaster • Bone • Barley • Dusk • Ceramic • Cream • Mineral • Dove • Parchment • Oatmeal • Millstone • Stone • Clay • Grey Moss  
 Slate • Cocoa • Moss • Damson • Smoke • Frame Grey • Lead • Earth • Burnt Ash • Flint • Charcoal • Raven  
 Coat Options **Metallics** @@ Platinum • Champagne • Gold • Cognac • Antique Brass • Gunmetal • Pewter • Bronzed  
**Anodic Metals** Twilight • Glow • Sky • Sunrise • Storm • Glimmer • Sunset • Night Sky • Midnight  
**Specialist** Can be specified at twice the cost of the standard finish plus a custom fee - Old Brass • Light Bronze • Bronze Art  
**Custom** See page 22 for details  
 Matte @  
 Satin @  
 Gloss @

Right Hand Motor



Gliding Options Roller • Ripple Roller • Ripplefold® Roller

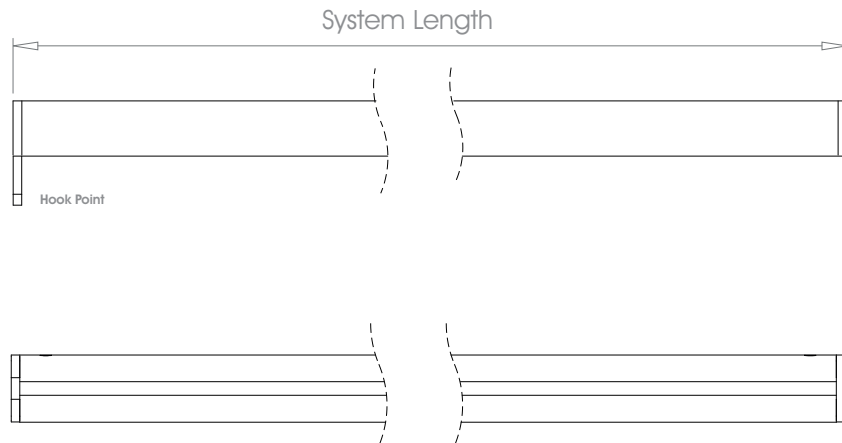
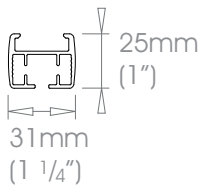




**!** ONLY FOR USE AS REAR TRACK OPTION ON DOUBLE SYSTEMS. (EXCLUDING EDGE)  
 Track will be finished in a complementary colour to match the cover pole. Please refer to page 18

- FINISHES** Shades @@@ Cloud • Alabaster • Bone • Barley • Dusk • Ceramic • Cream • Mineral • Dove • Parchment • Oatmeal • Millstone • Stone • Clay • Grey Moss  
 Slate • Cocoa • Moss • Damson • Smoke • Frame Grey • Lead • Earth • Burnt Ash • Flint • Charcoal • Raven  
 Coat Options **Metallics** @@ Platinum • Champagne • Gold • Cognac • Antique Brass • Gunmetal • Pewter • Bronzed  
**Anodic Metals** Twilight • Glow • Sky • Sunrise • Storm • Glimmer • Sunset • Night Sky • Midnight  
**Specialist** Can be specified at twice the cost of the standard finish plus a custom fee - Old Brass • Light Bronze • Bronze Art  
**Custom** See page 22 for details  
 Matte @  
 Satin @  
 Gloss @

Single Stack →



Gliding Options Roller • Ripple Roller • Ripplefold® Roller

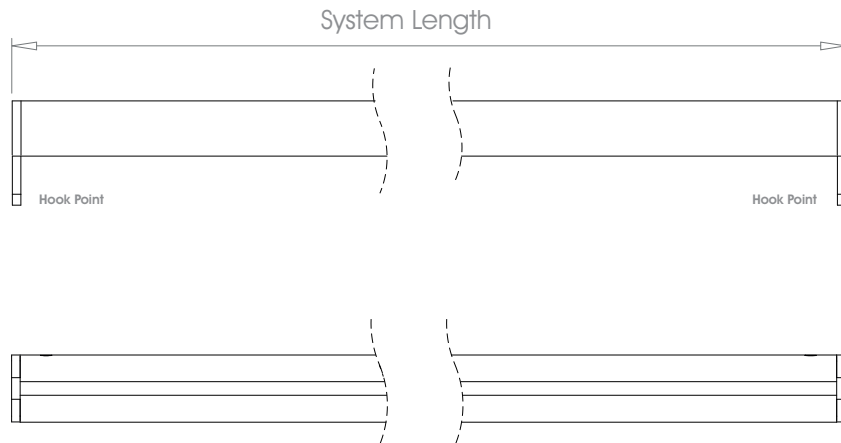
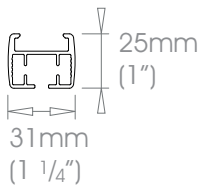




**!** ONLY FOR USE AS REAR TRACK OPTION ON DOUBLE SYSTEMS. (EXCLUDING EDGE)  
 Track will be finished in a complementary colour to match the cover pole. Please refer to page 18

- FINISHES** Shades @@@ Cloud • Alabaster • Bone • Barley • Dusk • Ceramic • Cream • Mineral • Dove • Parchment • Oatmeal • Millstone • Stone • Clay • Grey Moss  
 Slate • Cocoa • Moss • Damson • Smoke • Frame Grey • Lead • Earth • Burnt Ash • Flint • Charcoal • Raven  
 Coat Options **Metallics** @@ Platinum • Champagne • Gold • Cognac • Antique Brass • Gunmetal • Pewter • Bronzed  
**Anodic Metals** Twilight • Glow • Sky • Sunrise • Storm • Glimmer • Sunset • Night Sky • Midnight  
**Specialist** Can be specified at twice the cost of the standard finish plus a custom fee - Old Brass • Light Bronze • Bronze Art  
**Custom** See page 22 for details  
 Matte @  
 Satin @  
 Gloss @

Pair Stack →←



Gliding Options Roller • Ripple Roller • Ripplefold® Roller





Track will be finished in a complementary colour to match the cover pole. Please refer to page 18

### FINISHES

Coat Options  
Matte ⊙  
Satin ⊙  
Gloss ⊙

#### Stainless

#### Shades ⊙⊙⊙

Brushed Stainless

Cloud • Alabaster • Bone • Barley • Dusk • Ceramic • Cream • Mineral • Dove • Parchment • Oatmeal • Millstone • Stone • Clay • Grey Moss  
Slate • Cocoa • Moss • Damson • Smoke • Frame Grey • Lead • Earth • Burnt Ash • Flint • Charcoal • Raven

#### Metallics ⊙⊙

Platinum • Champagne • Gold • Cognac • Antique Brass • Gunmetal • Pewter • Bronzed

#### Anodic Metals

Twilight • Glow • Sky • Sunrise • Storm • Glimmer • Sunset • Night Sky • Midnight

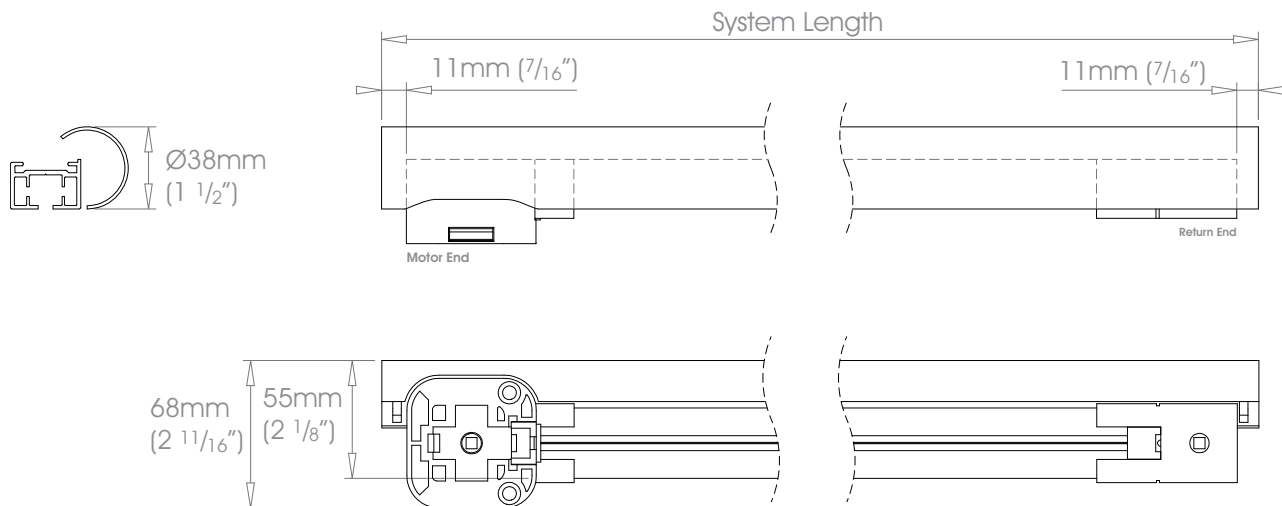
#### Specialist

Can be specified at twice the cost of the standard finish - Brushed Brass Tint • Brushed Bronze Tint • Brushed Carbon Tint

#### Custom

Can be specified at twice the cost of the standard finish plus a custom fee - Old Brass • Light Bronze • Bronze Art  
See page 22 for details

### 38mm (1 1/2") - Left Hand Motor



Gliding Options Glider • Wave® Glider • Roller • Wave® Roller





Track will be finished in a complementary colour to match the cover pole. Please refer to page 18

### FINISHES

#### Coat Options

Matte ⊙  
Satin ⊙  
Gloss ⊙

#### Stainless

#### Shades ⊙⊙⊙

#### Metallics ⊙⊙

#### Anodic Metals

#### Specialist

#### Custom

Brushed Stainless

Cloud • Alabaster • Bone • Barley • Dusk • Ceramic • Cream • Mineral • Dove • Parchment • Oatmeal • Millstone • Stone • Clay • Grey Moss  
Slate • Cocoa • Moss • Damson • Smoke • Frame Grey • Lead • Earth • Burnt Ash • Flint • Charcoal • Raven

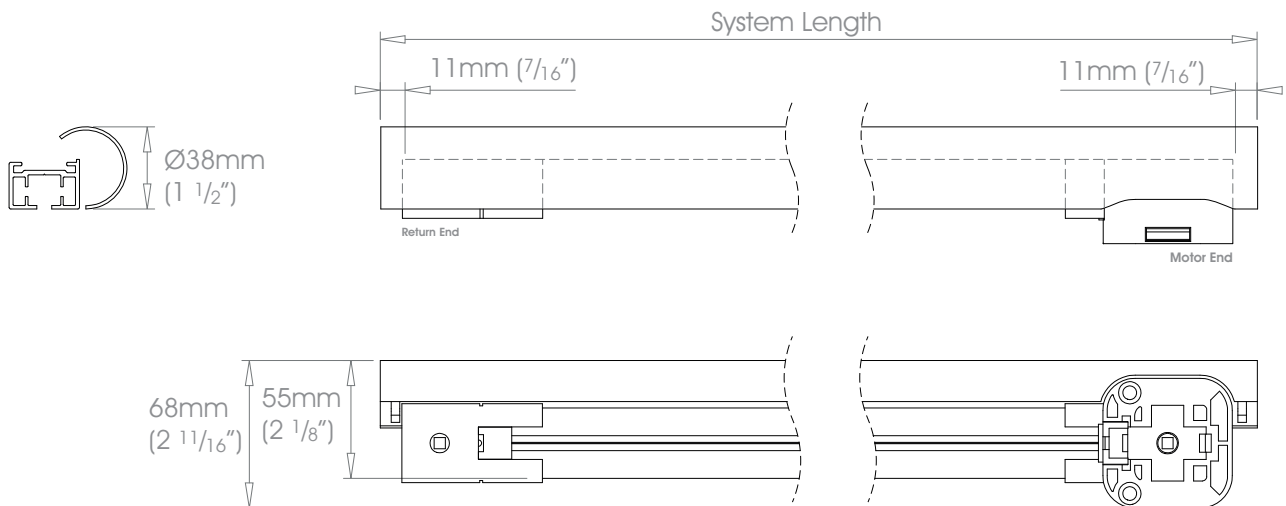
Platinum • Champagne • Gold • Cognac • Antique Brass • Gunmetal • Pewter • Bronzed

Twilight • Glow • Sky • Sunrise • Storm • Glimmer • Sunset • Night Sky • Midnight

Can be specified at twice the cost of the standard finish - Brushed Brass Tint • Brushed Bronze Tint • Brushed Carbon Tint

Can be specified at twice the cost of the standard finish plus a custom fee - Old Brass • Light Bronze • Bronze Art  
See page 22 for details

### 38mm (1 1/2") - Right Hand Motor



Gliding Options Glider • Wave® Glider • Roller • Wave® Roller





Track will be finished in a complementary colour to match the cover pole. Please refer to page 18

### FINISHES

#### Coat Options

Matte ⊙  
Satin ⊙  
Gloss ⊙

#### Stainless

#### Shades ⊙⊙⊙

#### Metallics ⊙⊙

#### Anodic Metals

#### Specialist

#### Custom

Brushed Stainless

Cloud • Alabaster • Bone • Barley • Dusk • Ceramic • Cream • Mineral • Dove • Parchment • Oatmeal • Millstone • Stone • Clay • Grey Moss  
Slate • Cocoa • Moss • Damson • Smoke • Frame Grey • Lead • Earth • Burnt Ash • Flint • Charcoal • Raven

Platinum • Champagne • Gold • Cognac • Antique Brass • Gunmetal • Pewter • Bronzed

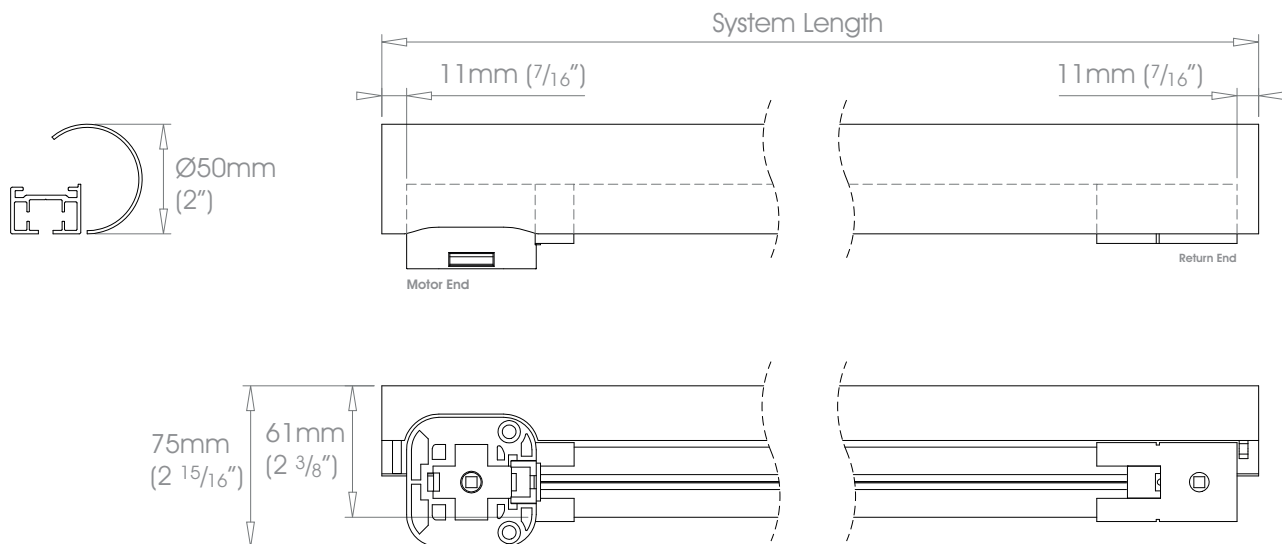
Twilight • Glow • Sky • Sunrise • Storm • Glimmer • Sunset • Night Sky • Midnight

Can be specified at twice the cost of the standard finish - Brushed Brass Tint • Brushed Bronze Tint • Brushed Carbon Tint

Can be specified at twice the cost of the standard finish plus a custom fee - Old Brass • Light Bronze • Bronze Art

See page 22 for details

### 50mm (2") - Left Hand Motor



Gliding Options Glider • Wave® Glider • Roller • Wave® Roller

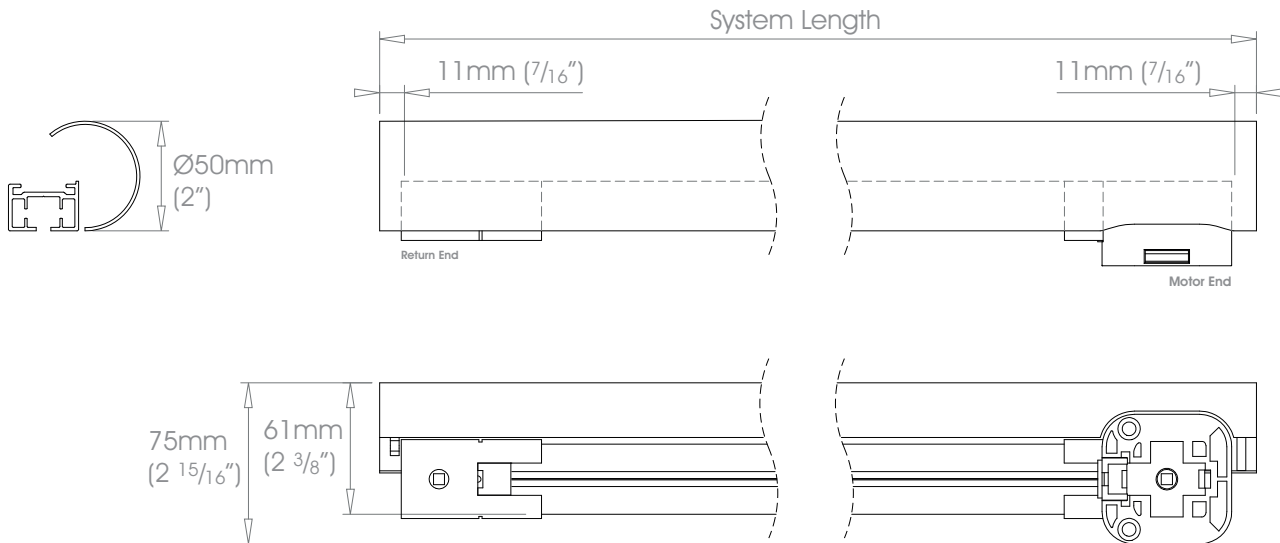




⚠ Track will be finished in a complementary colour to match the cover pole. Please refer to page 18

<b>FINISHES</b> Coat Options Matte ⊕ Satin ⊕ Gloss ⊕	<b>Stainless</b> Shades ⊕⊕⊕	Brushed Stainless Cloud • Alabaster • Bone • Barley • Dusk • Ceramic • Cream • Mineral • Dove • Parchment • Oatmeal • Millstone • Stone • Clay • Grey Moss Slate • Cocoa • Moss • Damson • Smoke • Frame Grey • Lead • Earth • Burnt Ash • Flint • Charcoal • Raven
	<b>Metallics</b> ⊕⊕	Platinum • Champagne • Gold • Cognac • Antique Brass • Gunmetal • Pewter • Bronzed
	<b>Anodic Metals</b>	Twilight • Glow • Sky • Sunrise • Storm • Glimmer • Sunset • Night Sky • Midnight
	<b>Specialist</b>	Can be specified at twice the cost of the standard finish - Brushed Brass Tint • Brushed Bronze Tint • Brushed Carbon Tint
	<b>Custom</b>	Can be specified at twice the cost of the standard finish plus a custom fee - Old Brass • Light Bronze • Bronze Art See page 22 for details

50mm (2") - Right Hand Motor



Gliding Options Glider • Wave® Glider • Roller • Wave® Roller





Track will be finished in a complementary colour to match the cover pole. Please refer to page 18

### FINISHES

#### Coat Options

Matte ⊙  
Satin ⊙  
Gloss ⊙

#### Stainless

#### Shades ⊙⊙⊙

#### Metallics ⊙⊙

#### Anodic Metals

#### Specialist

#### Custom

Brushed Stainless

Cloud • Alabaster • Bone • Barley • Dusk • Ceramic • Cream • Mineral • Dove • Parchment • Oatmeal • Millstone • Stone • Clay • Grey Moss  
Slate • Cocoa • Moss • Damson • Smoke • Frame Grey • Lead • Earth • Burnt Ash • Flint • Charcoal • Raven

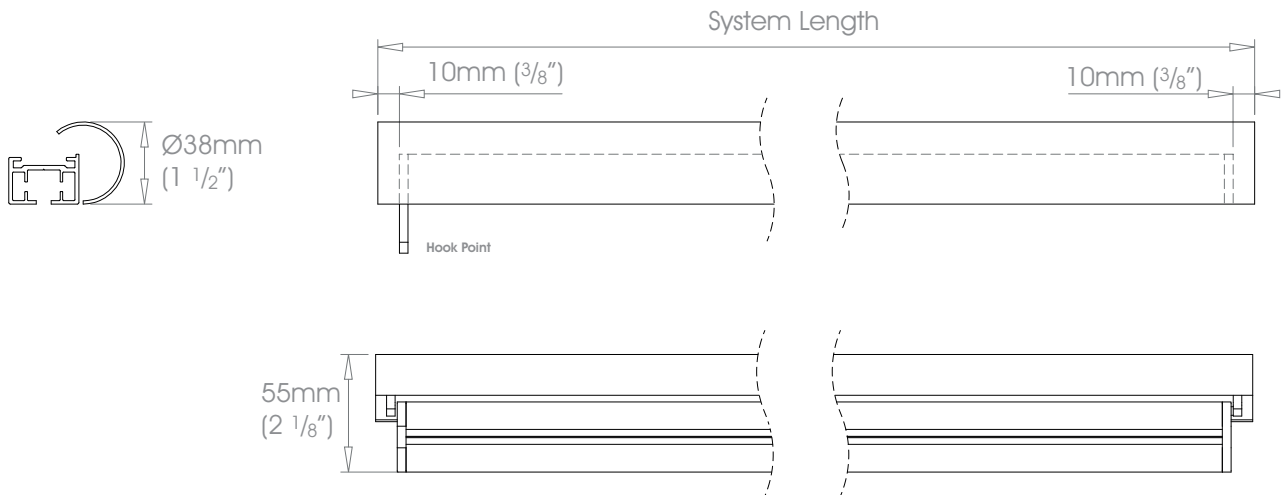
Platinum • Champagne • Gold • Cognac • Antique Brass • Gunmetal • Pewter • Bronzed

Twilight • Glow • Sky • Sunrise • Storm • Glimmer • Sunset • Night Sky • Midnight

Can be specified at twice the cost of the standard finish - Brushed Brass Tint • Brushed Bronze Tint • Brushed Carbon Tint

Can be specified at twice the cost of the standard finish plus a custom fee - Old Brass • Light Bronze • Bronze Art  
See page 22 for details

### 38mm (1 1/2") - Single Stack →



Gliding Options Glider • Wave® Glider • Roller • Wave® Roller







Track will be finished in a complementary colour to match the cover pole. Please refer to page 18

### FINISHES

#### Coat Options

Matte ⊙  
Satin ⊙  
Gloss ⊙

#### Stainless

#### Shades ⊙⊙⊙

#### Metallics ⊙⊙

#### Anodic Metals

#### Specialist

#### Custom

Brushed Stainless

Cloud • Alabaster • Bone • Barley • Dusk • Ceramic • Cream • Mineral • Dove • Parchment • Oatmeal • Millstone • Stone • Clay • Grey Moss  
Slate • Cocoa • Moss • Damson • Smoke • Frame Grey • Lead • Earth • Burnt Ash • Flint • Charcoal • Raven

Platinum • Champagne • Gold • Cognac • Antique Brass • Gunmetal • Pewter • Bronzed

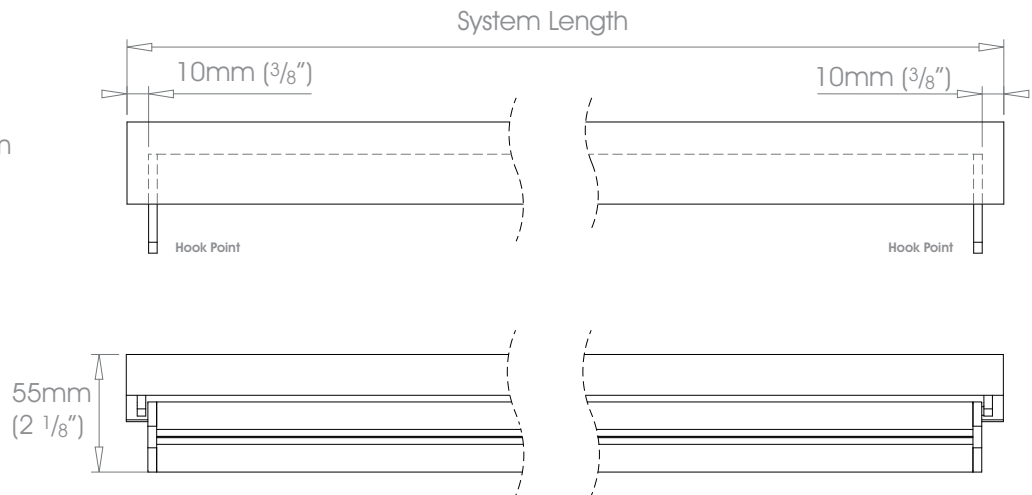
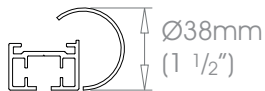
Twilight • Glow • Sky • Sunrise • Storm • Glimmer • Sunset • Night Sky • Midnight

Can be specified at twice the cost of the standard finish - Brushed Brass Tint • Brushed Bronze Tint • Brushed Carbon Tint

Can be specified at twice the cost of the standard finish plus a custom fee - Old Brass • Light Bronze • Bronze Art

See page 22 for details

### 38mm (1 1/2") - Pair Stack →←



Gliding Options Glider • Wave® Glider • Roller • Wave® Roller

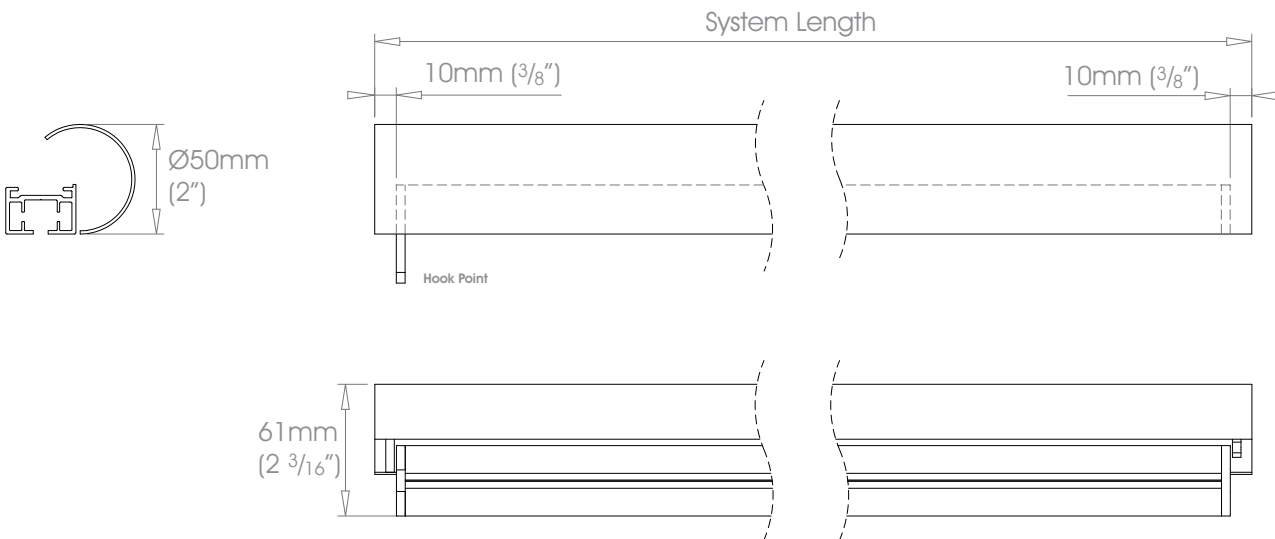




! Track will be finished in a complementary colour to match the cover pole. Please refer to page 18

<b>FINISHES</b> Coat Options Matte Satin Gloss	<b>Stainless</b> Shaded	Brushed Stainless Cloud • Alabaster • Bone • Barley • Dusk • Ceramic • Cream • Mineral • Dove • Parchment • Oatmeal • Millstone • Stone • Clay • Grey Moss Slate • Cocoa • Moss • Damson • Smoke • Frame Grey • Lead • Earth • Burnt Ash • Flint • Charcoal • Raven
	<b>Metallics</b> Anodic Metals	Platinum • Champagne • Gold • Cognac • Antique Brass • Gunmetal • Pewter • Bronzed Twilight • Glow • Sky • Sunrise • Storm • Glimmer • Sunset • Night Sky • Midnight
	<b>Specialist</b> Custom	Can be specified at twice the cost of the standard finish - Brushed Brass Tint • Brushed Bronze Tint • Brushed Carbon Tint Can be specified at twice the cost of the standard finish plus a custom fee - Old Brass • Light Bronze • Bronze Art See page 22 for details

**50mm (2") - Single Stack →**



**Gliding Options** Glider • Wave® Glider • Roller • Wave® Roller





Track will be finished in a complementary colour to match the cover pole. Please refer to page 18

### FINISHES

#### Coat Options

Matte ⊙  
Satin ⊙  
Gloss ⊙

#### Stainless

#### Shades ⊙⊙⊙

#### Metallics ⊙⊙

#### Anodic Metals

#### Specialist

#### Custom

Brushed Stainless

Cloud • Alabaster • Bone • Barley • Dusk • Ceramic • Cream • Mineral • Dove • Parchment • Oatmeal • Millstone • Stone • Clay • Grey Moss  
Slate • Cocoa • Moss • Damson • Smoke • Frame Grey • Lead • Earth • Burnt Ash • Flint • Charcoal • Raven

Platinum • Champagne • Gold • Cognac • Antique Brass • Gunmetal • Pewter • Bronzed

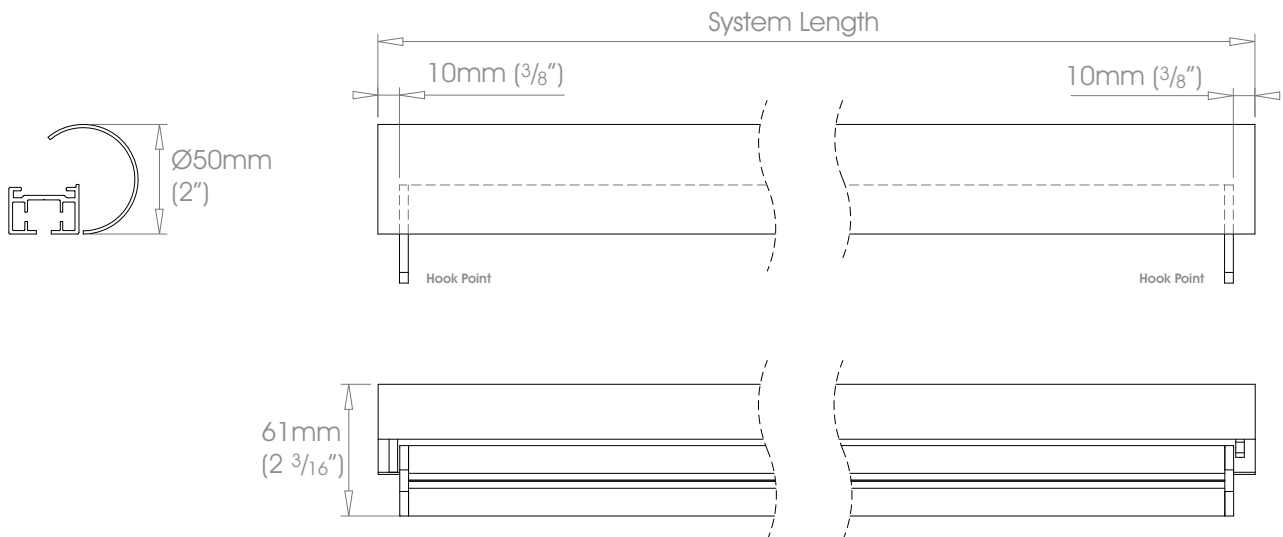
Twilight • Glow • Sky • Sunrise • Storm • Glimmer • Sunset • Night Sky • Midnight

Can be specified at twice the cost of the standard finish - Brushed Brass Tint • Brushed Bronze Tint • Brushed Carbon Tint

Can be specified at twice the cost of the standard finish plus a custom fee - Old Brass • Light Bronze • Bronze Art

See page 22 for details

### 50mm (2") - Pair Stack →←



Gliding Options Glider • Wave® Glider • Roller • Wave® Roller

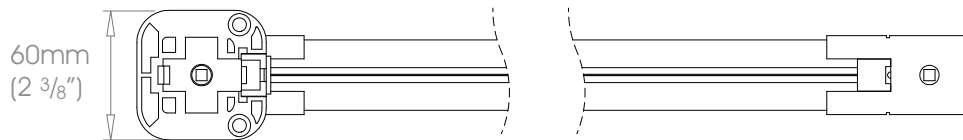
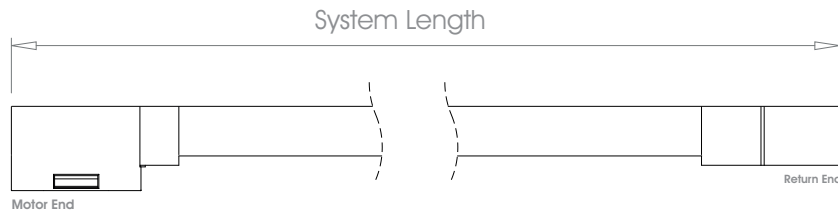
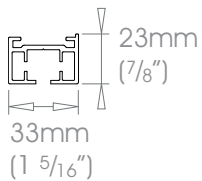




**!** ONLY FOR USE AS REAR TRACK OPTION ON DOUBLE SYSTEMS. (EXCLUDING EDGE)  
 Track will be finished in a complementary colour to match the cover pole. Please refer to page 18

- FINISHES** Shades ☉☉☉ Cloud • Alabaster • Bone • Barley • Dusk • Ceramic • Cream • Mineral • Dove • Parchment • Oatmeal • Millstone • Stone • Clay • Grey Moss  
 Slate • Cocoa • Moss • Damson • Smoke • Frame Grey • Lead • Earth • Burnt Ash • Flint • Charcoal • Raven  
 Coat Options **Metallics** ☉☉ Platinum • Champagne • Gold • Cognac • Antique Brass • Gunmetal • Pewter • Bronzed  
**Anodic Metals** Twilight • Glow • Sky • Sunrise • Storm • Glimmer • Sunset • Night Sky • Midnight  
**Specialist** Can be specified at twice the cost of the standard finish plus a custom fee - Old Brass • Light Bronze • Bronze Art  
**Custom** See page 22 for details  
 Matte ☉  
 Satin ☉  
 Gloss ☉

### Left Hand Motor



**Gliding Options** Glider • Wave® Glider • Roller • Wave® Roller



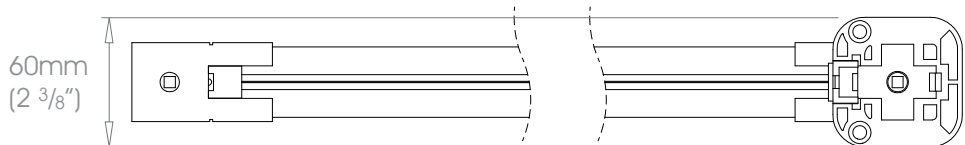
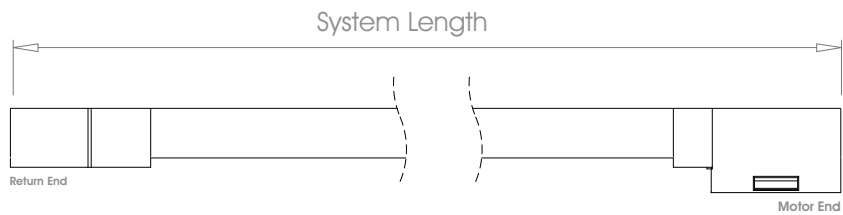
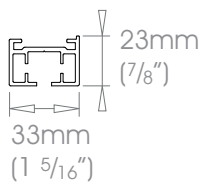


**ONLY FOR USE AS REAR TRACK OPTION ON DOUBLE SYSTEMS. (EXCLUDING EDGE)**

Track will be finished in a complementary colour to match the cover pole. Please refer to page 18

<b>FINISHES</b>	<b>Shades</b> ☉☉☉	Cloud • Alabaster • Bone • Barley • Dusk • Ceramic • Cream • Mineral • Dove • Parchment • Oatmeal • Millstone • Stone • Clay • Grey Moss • Slate • Cocoa • Moss • Damson • Smoke • Frame Grey • Lead • Earth • Burnt Ash • Flint • Charcoal • Raven
	<b>Coat Options</b>	
	<b>Metallics</b> ☉☉	Platinum • Champagne • Gold • Cognac • Antique Brass • Gunmetal • Pewter • Bronzed
	<b>Anodic Metals</b>	Twilight • Glow • Sky • Sunrise • Storm • Glimmer • Sunset • Night Sky • Midnight
<b>Matte</b> ☉	<b>Specialist</b>	Can be specified at twice the cost of the standard finish plus a custom fee - Old Brass • Light Bronze • Bronze Art
<b>Satin</b> ☉	<b>Custom</b>	See page 22 for details
<b>Gloss</b> ☉		

### Right Hand Motor



**Gliding Options** Glider • Wave® Glider • Roller • Wave® Roller

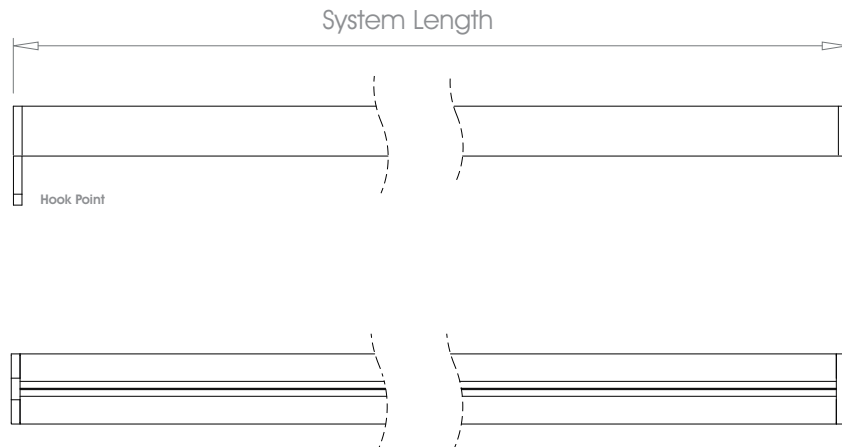
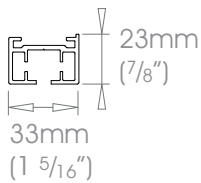




**!** ONLY FOR USE AS REAR TRACK OPTION ON DOUBLE SYSTEMS. (EXCLUDING EDGE)  
 Track will be finished in a complementary colour to match the cover pole. Please refer to page 18

- FINISHES** Shades @@@ Cloud • Alabaster • Bone • Barley • Dusk • Ceramic • Cream • Mineral • Dove • Parchment • Oatmeal • Millstone • Stone • Clay • Grey Moss  
 Slate • Cocoa • Moss • Damson • Smoke • Frame Grey • Lead • Earth • Burnt Ash • Flint • Charcoal • Raven  
 Coat Options **Metallics** @@ Platinum • Champagne • Gold • Cognac • Antique Brass • Gunmetal • Pewter • Bronzed  
**Anodic Metals** Twilight • Glow • Sky • Sunrise • Storm • Glimmer • Sunset • Night Sky • Midnight  
**Specialist** Can be specified at twice the cost of the standard finish plus a custom fee - Old Brass • Light Bronze • Bronze Art  
**Custom** See page 22 for details  
 Matte @  
 Satin @  
 Gloss @

### Single Stack →



**Gliding Options** Glider • Wave® Glider • Roller • Wave® Roller





**ONLY FOR USE AS REAR TRACK OPTION ON DOUBLE SYSTEMS. (EXCLUDING EDGE)**

Track will be finished in a complementary colour to match the cover pole. Please refer to page 18

**FINISHES** Shades @@@

Coat Options

Matte @

Satin @

Gloss @

**Metallics** @@

**Anodic Metals**

**Specialist**

**Custom**

Cloud • Alabaster • Bone • Barley • Dusk • Ceramic • Cream • Mineral • Dove • Parchment • Oatmeal • Millstone • Stone • Clay • Grey Moss  
Slate • Cocoa • Moss • Damson • Smoke • Frame Grey • Lead • Earth • Burnt Ash • Flint • Charcoal • Raven

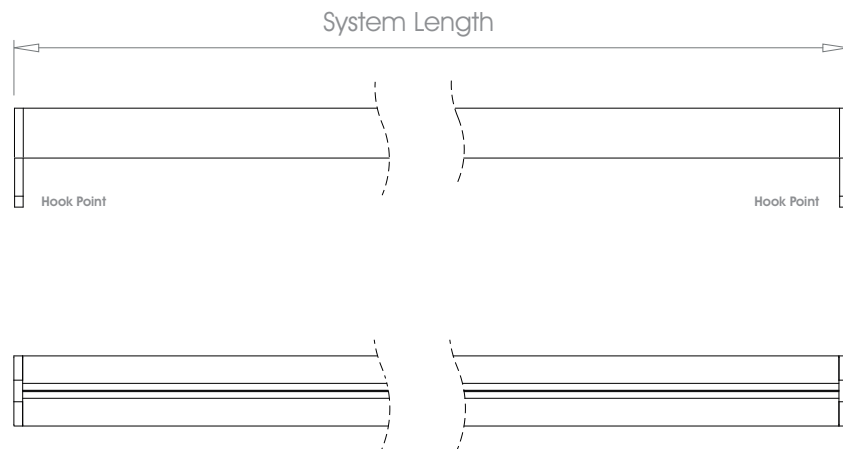
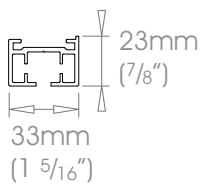
Platinum • Champagne • Gold • Cognac • Antique Brass • Gunmetal • Pewter • Bronzed

Twilight • Glow • Sky • Sunrise • Storm • Glimmer • Sunset • Night Sky • Midnight

Can be specified at twice the cost of the standard finish plus a custom fee - Old Brass • Light Bronze • Bronze Art

See page 22 for details

**Pair Stack** →←



**Gliding Options** Glider • Wave® Glider • Roller • Wave® Roller

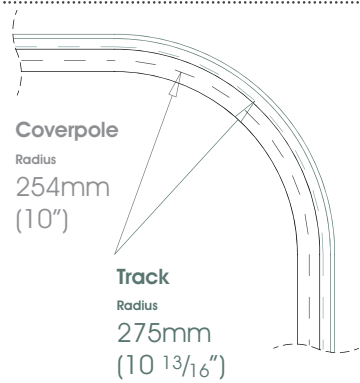




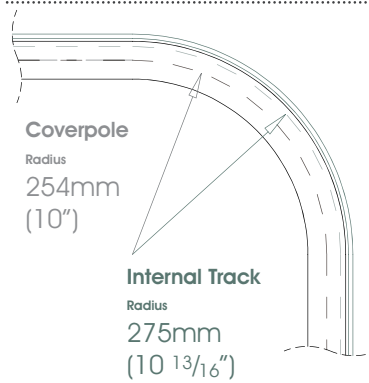
! Brushed Stainless Steel & Brushed Tint finishes are not available on bay bends.

**FINISHES** Shades @@@ Cloud • Alabaster • Bone • Barley • Dusk • Ceramic • Cream • Mineral • Dove • Parchment • Oatmeal • Millstone • Stone • Clay • Grey Moss  
 Slate • Cocoa • Moss • Damson • Smoke • Frame Grey • Lead • Earth • Burnt Ash • Flint • Charcoal • Raven  
 Coat Options **Metallics** @@ Platinum • Champagne • Gold • Cognac • Antique Brass • Gunmetal • Pewter • Bronzed  
**Anodic Metals** Twilight • Glow • Sky • Sunrise • Storm • Glimmer • Sunset • Night Sky • Midnight  
**Specialist** Can be specified at twice the cost of the standard finish plus a custom fee - Old Brass • Light Bronze • Bronze Art  
**Custom** See page 22 for details  
 Matte @  
 Satin @  
 Gloss @

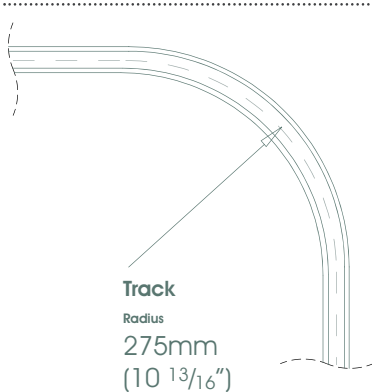
38mm (1 1/2")



50mm (2")



Uncovered Track





# CONTACT

[www.bradleycollection.com](http://www.bradleycollection.com)



## UK & REST OF THE WORLD

+44 (0)1449 722 724  
[info@bradleycollection.com](mailto:info@bradleycollection.com)

## USA & CANADA

+1 (310) 815 8255  
[info.us@bradleycollection.com](mailto:info.us@bradleycollection.com)

---

## LONDON SHOWROOM

+44 (0)207 871 7793  
[showroom@studiotwochelsea.com](mailto:showroom@studiotwochelsea.com)

## THE BRADLEY COLLECTION



**Industry Partner**  
Supporting the interior design profession

CEDIA  
MEMBER

Specialised fixings for mounting brackets will be required in certain situations and are not provided as standard. Steel items are not recommended for damp conditions such as shower rooms. Crystal finials should not be positioned in direct sunlight, and are not suitable for use in conservatories. Fluid Metal items are supplied unlacquered and will tarnish over time.

The Bradley Collection reserves the right to modify design and materials without prior notice as part of a process of continual product improvement. Due to printing limitations, colours in this brochure may not be accurate.

Products are protected by Design Rights, under provisions of Copyright, Designs & Patents Act 1988. Bradley®, The Bradley Collection® and  Logo are registered Community trademarks of The Bradley Collection Ltd. in Europe and registered trademarks of the Bradley Collection, Inc. in the USA.

**The Bradley Collection Ltd** Lion Barn • Maitland Road • Needham Market • Suffolk • IP6 8NS • UK