



Recess brackets are not suitable for use with French poles.

FINISHES

Stainless

Shades

Brushed Stainless

Cloud • Alabaster • Bone • Barley • Dusk • Ceramic • Cream • Mineral • Dove • Parchment • Oatmeal • Millstone • Stone • Clay • Grey Moss
Slate • Cocoa • Moss • Damson • Smoke • Frame Grey • Lead • Earth • Burnt Ash • Flint • Charcoal • Raven

Coat Options

Matte

Satin

Gloss

Metallics

Anodic Metals

Specialist

Platinum • Champagne • Gold • Cognac • Antique Brass • Gunmetal • Pewter • Bronzed

Twilight • Glow • Sky • Sunrise • Storm • Glimmer • Sunset • Night Sky • Midnight

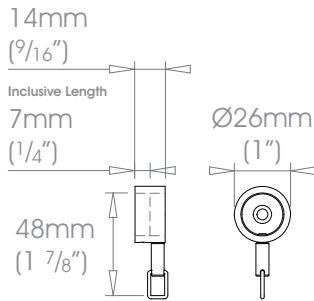
Can be specified at twice the cost of the standard finish - Brushed Brass Tint • Brushed Bronze Tint • Brushed Carbon Tint | Polished Nickel

Can be specified at twice the cost of the standard finish plus a custom fee - Old Brass • Light Bronze • Bronze Art

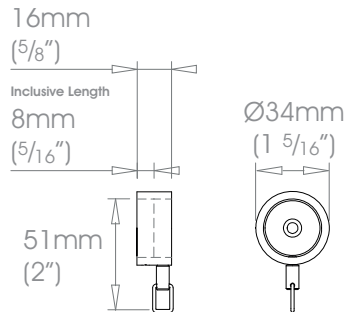
See Specification Guide for details

Custom

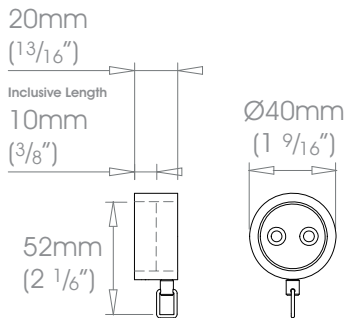
19mm (3/4")



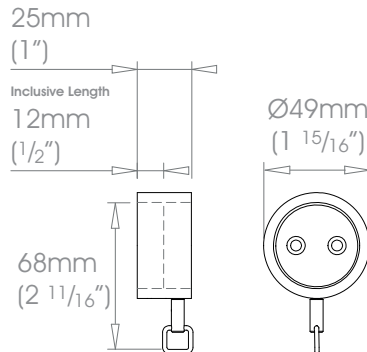
25mm (1")



30mm (1 3/16")



38mm (1 1/2")





ⓘ Recess brackets are not suitable for use with French poles.

FINISHES <small>Coat Options</small> Matte ⊙ Satin ⊙ Gloss ⊙	Stainless Shades ⊙⊙⊙	Brushed Stainless Cloud • Alabaster • Bone • Barley • DusK • Ceramic • Cream • Mineral • Dove • Parchment • Oatmeal • Millstone • Stone • Clay • Grey Moss Slate • Cocoa • Moss • Damson • Smoke • Frame Grey • Lead • Earth • Burnt Ash • Flint • Charcoal • Raven
	Metallics ⊙⊙	Platinum • Champagne • Gold • Cognac • Antique Brass • Gunmetal • Pewter • Bronzed
	Anodic Metals	Twilight • Glow • Sky • Sunrise • Storm • Glimmer • Sunset • Night Sky • Midnight
	Specialist	Can be specified at twice the cost of the standard finish - Brushed Brass Tint • Brushed Bronze Tint • Brushed Carbon Tint Polished Nickel
	Custom	Can be specified at twice the cost of the standard finish plus a custom fee - Old Brass • Light Bronze • Bronze Art See Specification Guide for details

50mm (2")

