

CONTACT

www.bradleycollection.com



UK & REST OF THE WORLD

☎ +44 (0)1449 722 724

✉ info@bradleycollection.com

USA & CANADA

☎ +1 (310) 815 8255

✉ info.us@bradleycollection.com


THE BRADLEY COLLECTION

ELEVATE

the**bradley**collection

Specialised fixings for mounting brackets will be required in certain situations and are not provided as standard.
Steel items are not recommended for damp conditions such as shower rooms.
Crystal finials should not be positioned in direct sunlight, and are not suitable for use in conservatories.
Fluid Metal items are supplied unlacquered and will tarnish over time.

The Bradley Collection reserves the right to modify design and materials without prior notice as part of a process of continual product improvement.

Products are protected by Design Rights, under provisions of Copyright, Designs & Patents Act 1988.
Bradley®, The Bradley Collection® and  Logo are registered Community trademarks of The Bradley Collection Ltd. in Europe and registered trademarks of the Bradley Collection, Inc. in the USA.

The Bradley Collection Ltd Lion Barn • Maitland Road • Needham Market • Suffolk • IP6 8NS • UK

Published: 1024 • Copyright © The Bradley Collection Ltd. 2024

somfy®

INSTALLATION INSTRUCTIONS

THANK YOU FOR YOUR ORDER

Before fitting this product please ensure that you have thoroughly read these instructions.

We have taken every care to design and manufacture a quality system; incorrect installation could lead to poor performance.

If any queries arise when reviewing these instructions or during installation please feel free to contact us for assistance. We will be glad to talk you through the process.

Please retain these instructions for future reference.

SHARE YOUR INSTALL
ON INSTAGRAM

📷 TAG: @bradleycollection

Fixings

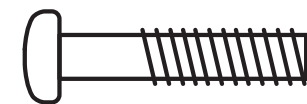
As a courtesy we have supplied a set of fixings for the system.

These screws and wall plugs are designed to be used in wood and brick walls. We understand our systems may be used on a variety of materials; drywall, aluminium and steel stud, or lath and plaster.

To properly secure a system onto these or other types of surfaces; appropriate fixings must be independently obtained.

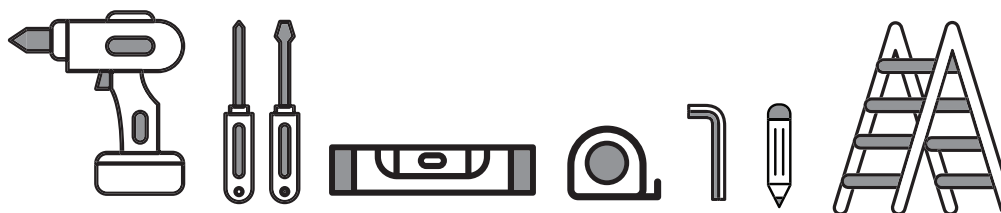


Assess your own wall construction and source the appropriate screw type. Please note that the enclosed fixings may not be suitable for all wall types.



Tools

For the installation of the system the following items may be required.



Care & Maintenance

This pole can be cleaned using a soft cloth and furniture polish.



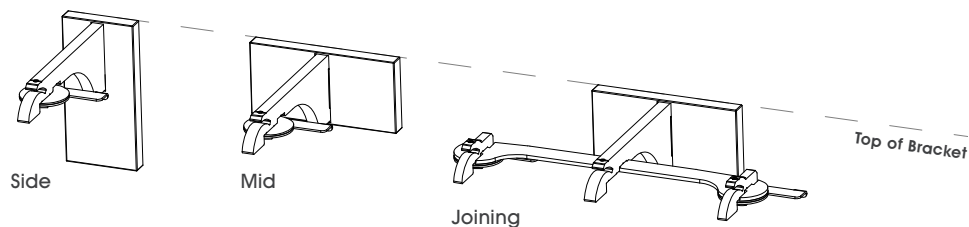
Please do not use any solvent or chlorine based cleaners as this will damage the finish.

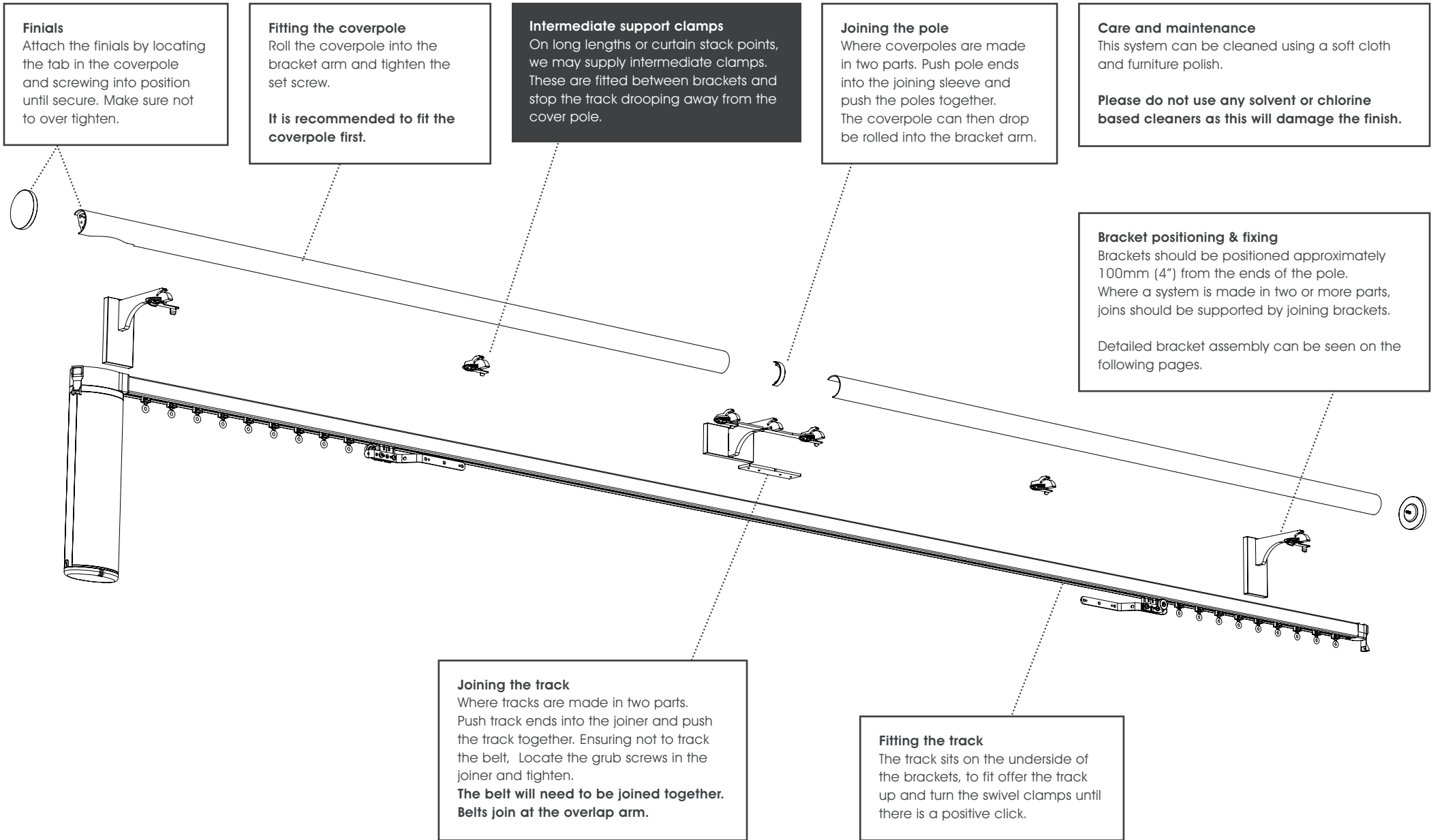
Bracket positioning and fixing

Side brackets should be positioned approximately 100mm (4") in from the end of the pole.

Single Brackets

To align the brackets, the top of the mid brackets should be fitted in line with the top of the side brackets.





Finials
Attach the finials by locating the tab in the coverpole and screwing into position until secure. Make sure not to over tighten.

Fitting the coverpole
Roll the coverpole into the bracket arm and tighten the set screw.

It is recommended to fit the coverpole first.

Intermediate support clamps
On long lengths or curtain stack points, we may supply intermediate clamps. These are fitted between brackets and stop the track drooping away from the cover pole.

Joining the pole
Where coverpoles are made in two parts. Push pole ends into the joining sleeve and push the poles together. The coverpole can then drop be rolled into the bracket arm.

Care and maintenance
This system can be cleaned using a soft cloth and furniture polish.

Please do not use any solvent or chlorine based cleaners as this will damage the finish.

Bracket positioning & fixing
Brackets should be positioned approximately 100mm (4") from the ends of the pole. Where a system is made in two or more parts, joins should be supported by joining brackets.

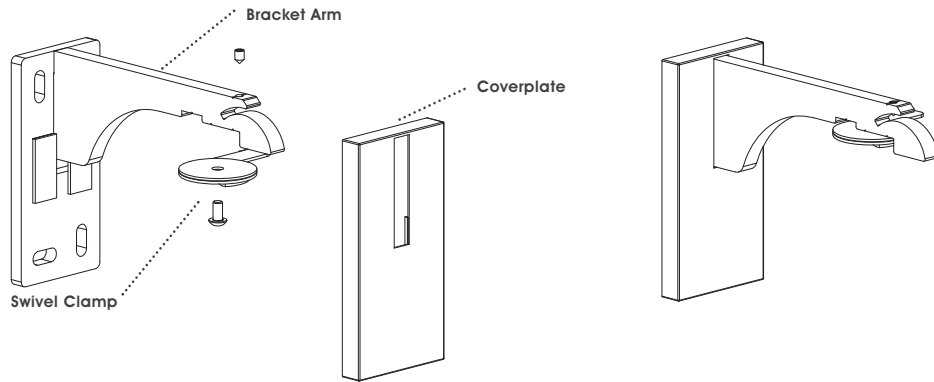
Detailed bracket assembly can be seen on the following pages.

Joining the track
Where tracks are made in two parts. Push track ends into the joiner and push the track together. Ensuring not to track the belt. Locate the grub screws in the joiner and tighten.
The belt will need to be joined together. Belts join at the overlap arm.

Fitting the track
The track sits on the underside of the brackets, to fit offer the track up and turn the swivel clamps until there is a positive click.

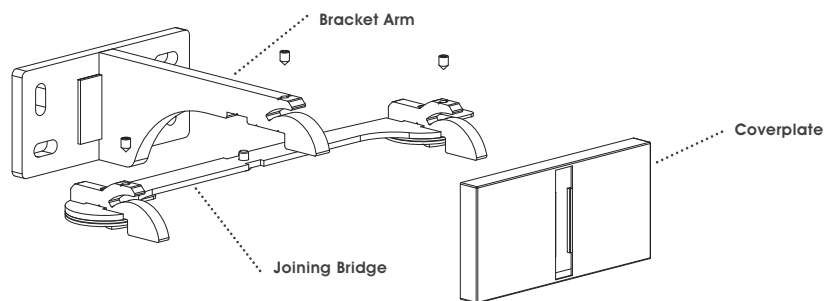
Single Brackets - Side & Mid

1. Mark the position of the brackets.
2. Drill holes & insert plugs.
3. Screw each bracket into position.
4. Push cover plate over arm, the cover is held in place by magnets.
5. Screw the swivel clamp to the bracket arm, ensuring all the screws are secure.



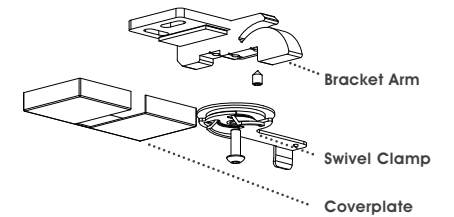
Single Brackets - Joining

1. Mark the position of the brackets.
2. Drill holes & insert plugs.
3. Screw each bracket into position.
4. Push cover plate over arm, the cover is held in place by magnets.
5. Screw the joining bridge to the bracket arm, ensuring all the screws are secure.



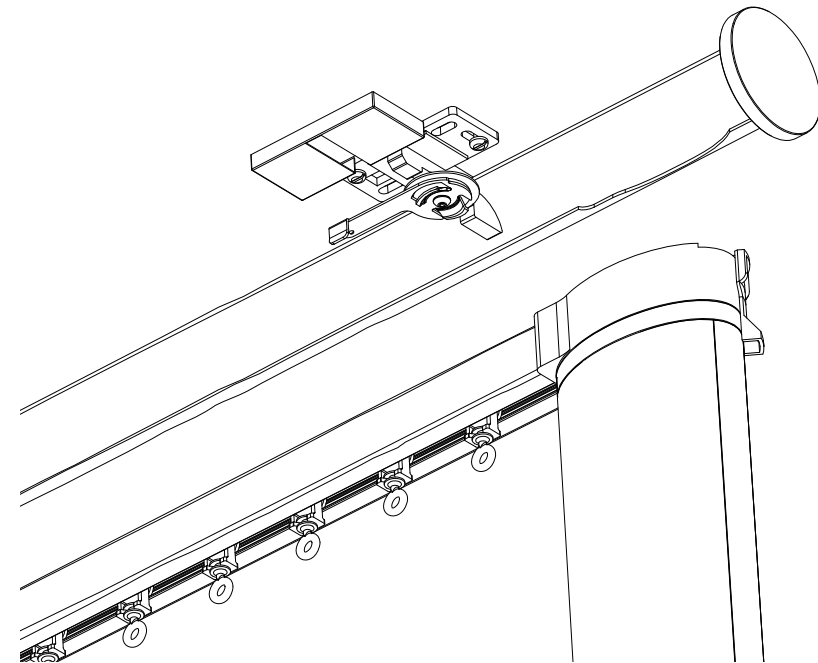
Flush Ceiling Brackets

1. Mark the position of the brackets.
2. Drill holes & insert plugs.
3. Screw each bracket into position.
4. Push cover plate over arm, the cover is held in place by magnets.



Fitting coverpole and track

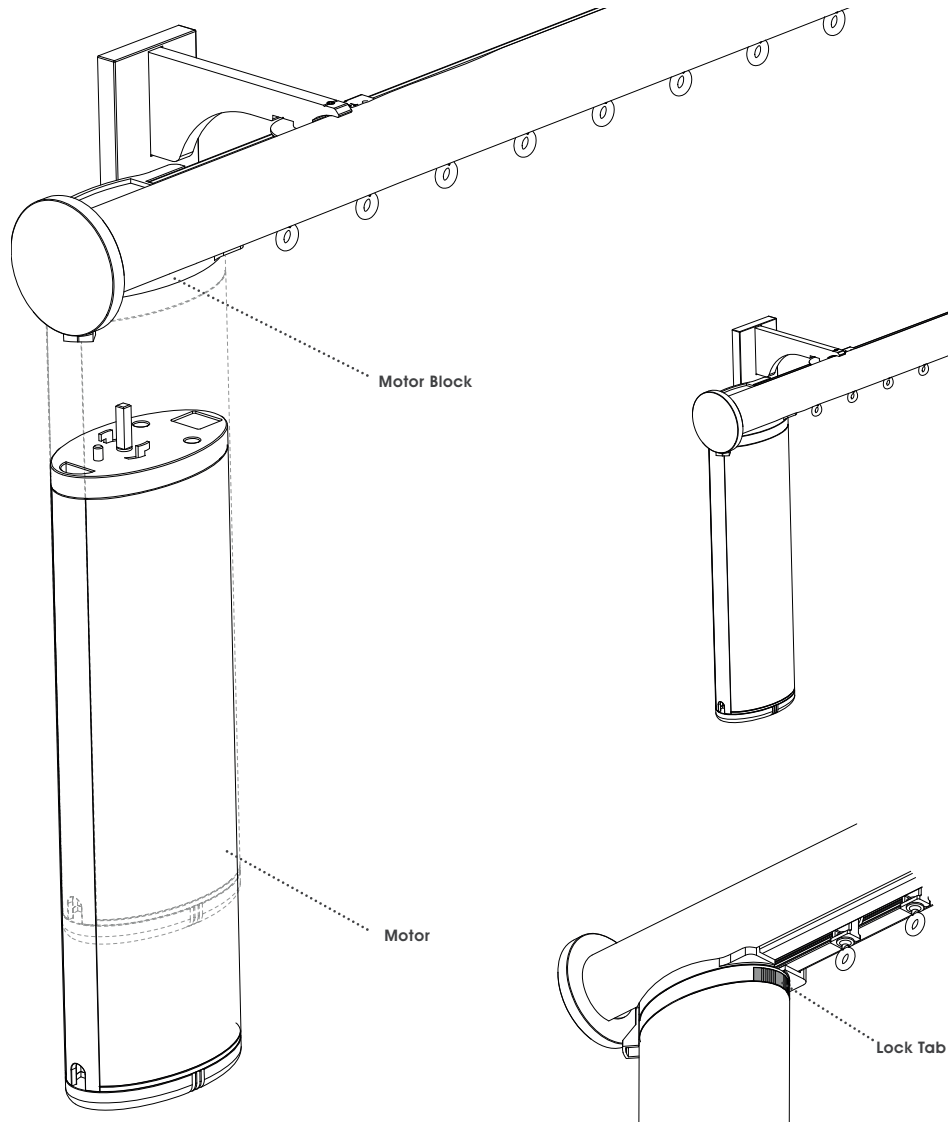
1. The cover pole sits into bracket arm. Locate in the correct position and tighten the set screw on the underside of the bracket arm. It may be necessary to remove the swivel clamp.
2. The track sits on the underside of the brackets, to fit offer the track up and turn the swivel clamps until there is a positive click.



Please note, bracket assembly may vary slightly between diameters from the diagram above.

Installing the motor

1. Offer the motor up into the motor block in the correct orientation.
2. Secure the motor by sliding the lock tab



For information on wiring the motor in and setting the end stops please refer to the Somfy documentation.

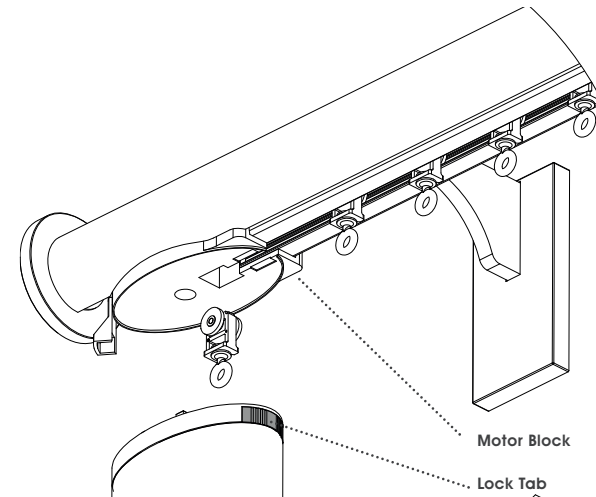
Adding/removing rollers

Systems are supplied with rollers pre-installed in the track, in some instances it may be necessary to add or remove.

Motor End

Gliders/rollers can only be added or remove when the motor is not attached to the track, if the motor is attached to the track unlock the lock tab and carefuler remove the motor.

1. Add or remove rollers through the slot in the motor block.
2. Offer the motor up into the motor block in the correct orientation. push into location.
3. Secure the motor by pushing lock pin into position.



Return end

1. Remove track from the coverpole.
2. Undo the screws in the overlap arm where the internal belt joins.
3. Undo the screw in the return block, Wiggle the return block out of track.
4. Add or remove rollers.
5. Carefully refit the return block into the track. Tighten the screw in the return block.
6. Tighten the screws in the overlap arm where the internal belt joins.
7. Refit the track into the coverpole.

