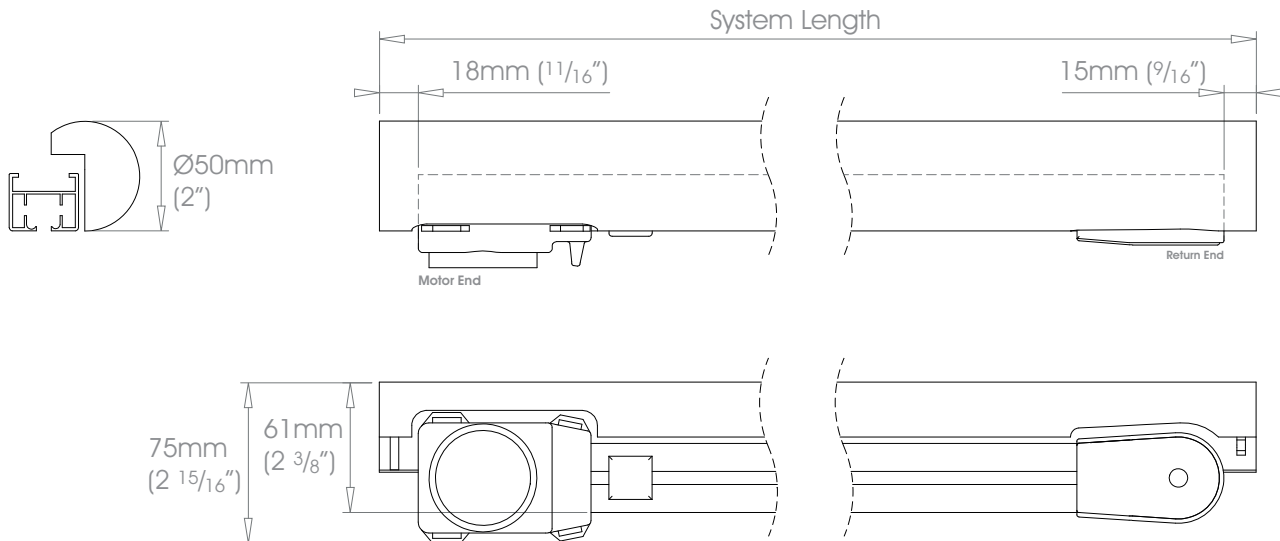




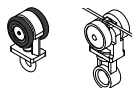
⚠ Track will be finished in a complementary colour to match the cover pole. Please refer to the Specification Guide.

**FINISHES** Wood Finishes - Ash • Black Ash  
 Premium Wood Finishes - Can be specified at +50% the cost of the standard finish - Cherry • Oak • Walnut

### 50mm (2") - Left Hand Motor



Gliding Options Roller • Ripplefold® Roller

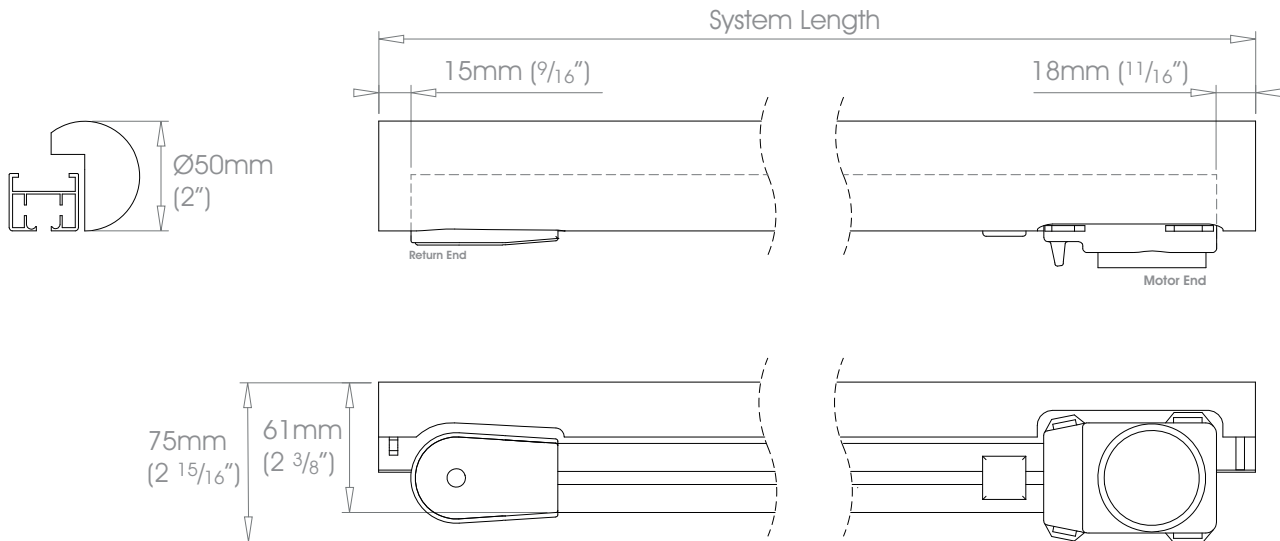




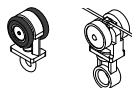
⚠ Track will be finished in a complementary colour to match the cover pole. Please refer to the Specification Guide.

**FINISHES** Wood Finishes - Ash • Black Ash  
Premium Wood Finishes - Can be specified at +50% the cost of the standard finish - Cherry • Oak • Walnut

50mm (2") - Right Hand Motor



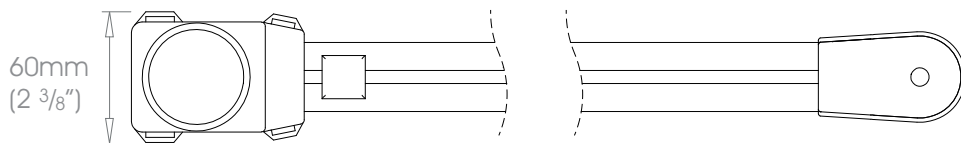
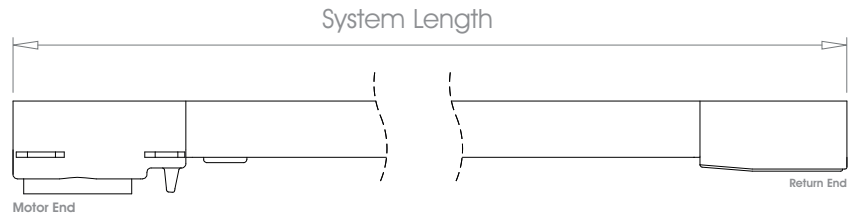
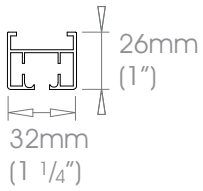
Gliding Options Roller • Ripplefold® Roller



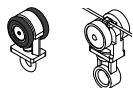


**!** **ONLY FOR USE AS REAR TRACK OPTION ON DOUBLE SYSTEMS.**  
 Track will be finished in a complementary colour to match the cover pole. Please refer to the Specification Guide.

**Left Hand Motor**



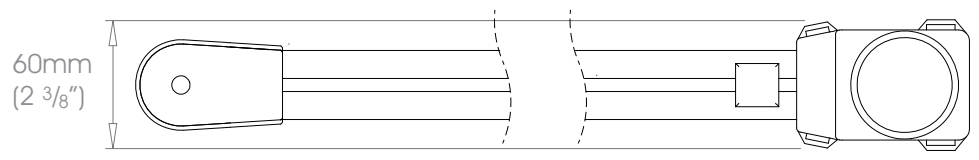
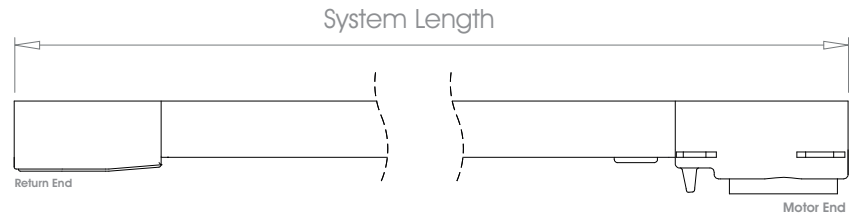
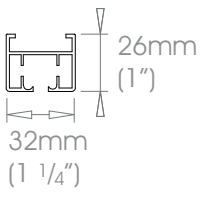
Gliding Options Roller • Ripplefold® Roller





**!** **ONLY FOR USE AS REAR TRACK OPTION ON DOUBLE SYSTEMS.**  
 Track will be finished in a complementary colour to match the cover pole. Please refer to the Specification Guide.

**Right Hand Motor**



Gliding Options Roller • Ripplefold® Roller

