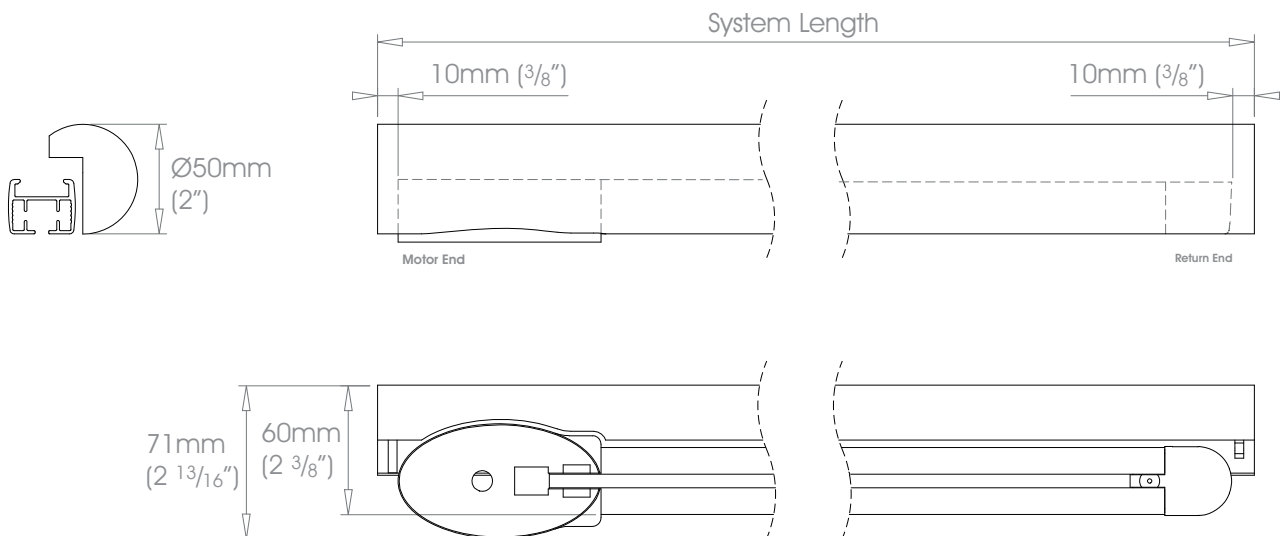




⚠ Track will be finished in a complementary colour to match the cover pole. Please refer to the Specification Guide.

FINISHES Wood Finishes - Ash • Black Ash
 Coat Options Premium Wood Finishes - Can be specified at +50% the cost of the standard finish - Cherry • Oak • Walnut
 Matte ☉
 Satin ☉
 Gloss ☉

50mm (2") - Left Hand Motor



Gliding Options Roller • Ripple Roller • Ripplefold® Roller

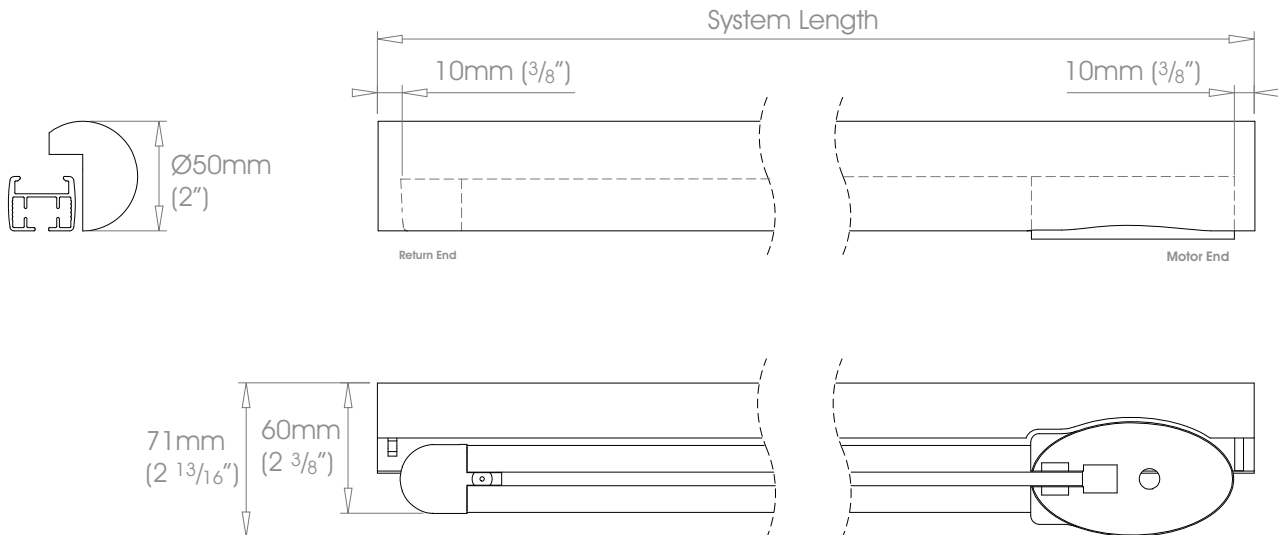




⚠ Track will be finished in a complementary colour to match the cover pole. Please refer to the Specification Guide.

FINISHES Wood Finishes - Ash • Black Ash
 Coat Options Premium Wood Finishes - Can be specified at +50% the cost of the standard finish - Cherry • Oak • Walnut
 Matte ☉
 Satin ☉
 Gloss ☉

50mm (2") - Right Hand Motor



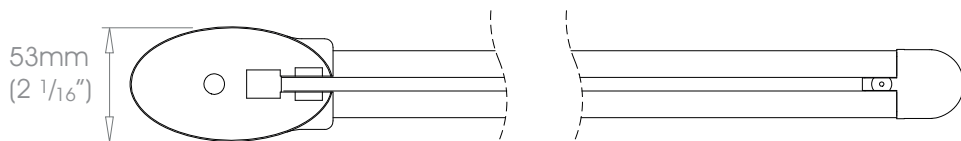
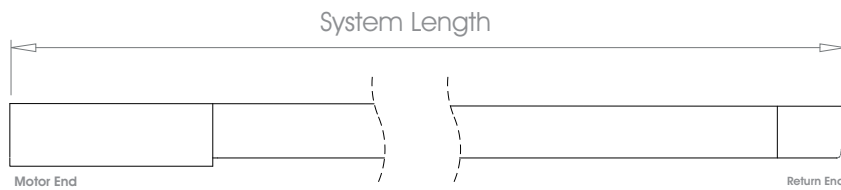
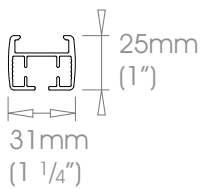
Gliding Options Roller • Ripple Roller • Ripplefold® Roller





⚠ **ONLY FOR USE AS REAR TRACK OPTION ON DOUBLE SYSTEMS.**
 Track will be finished in a complementary colour to match the cover pole. Please refer to the Specification Guide.

Left Hand Motor



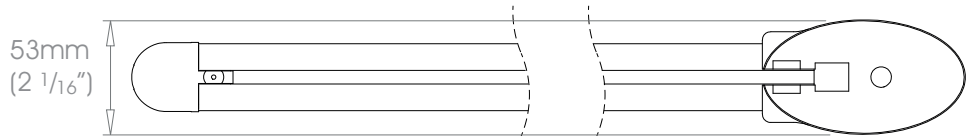
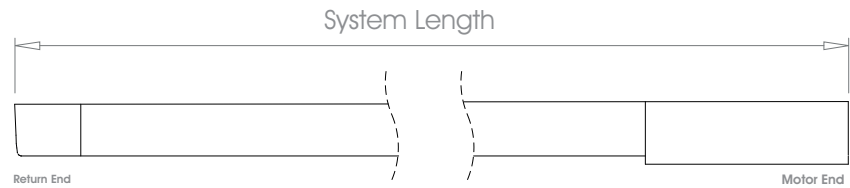
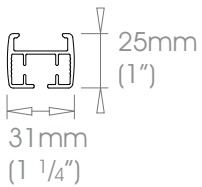
Gliding Options Roller • Ripple Roller • Ripplefold® Roller





! **ONLY FOR USE AS REAR TRACK OPTION ON DOUBLE SYSTEMS.**
 Track will be finished in a complementary colour to match the cover pole. Please refer to the Specification Guide.

Right Hand Motor



Gliding Options Roller • Ripple Roller • Ripplefold® Roller

